



POLYPROPYLENE

RUST-FREE, METAL-FREE PRODUCTS



ibs | tecnomara
Innovative Systeme für die Biotechnologie

ibs tecnomara GmbH
Ruhberg 4 | 35463 Fernwald
+49 (0) 6404 / 809 - 0
info@tecnomara.de
www.tecnomara.de

LabAire Systems | 9650 Newton Av S | Bloomington, MN 55431 | U.S.A. |



Table of Contents

FumeGard Series	4 - 9
<i>NU-156 Vertical Laminar Airflow Fume Hood</i>	4 - 5
<i>NU-162 Conventional Fume Hood</i>	6 - 7
<i>NU-164 By-Pass Fume Hood</i>	8 - 9
Fume Hood Base Cabinets	10 - 11
Acid Storage Cabinets.....	12 - 13
Polypropylene Casework.....	14 - 24
<i>Base Cabinets</i>	16 - 18
<i>Sink Units and Vented Storage</i>	19
<i>Knee Space and Filler Panels</i>	20 - 21
<i>Tall Storage Cabinets</i>	22
<i>Wall Cases</i>	22 - 24
<i>Other</i>	24
Chemical Resistance Guide	25



FUMEGARD



Setting the Standard in the most demanding environments

NuAire offers a wide variety of polypropylene laboratory furniture and equipment. Products include the FumeGard vertical laminar airflow fume hoods, FumeGard conventional and by-pass fume hoods, FumeGard base cabinets, FumeGard acid storage cabinets and a full line of polypropylene casework. All FumeGard hoods are available in nominal 4, 5, 6, and 8 foot lengths; and 24" (610 mm) or 30" (762 mm) work surface depths.

NuAire Polypropylene products are the ideal solution to meet your requirements. They have a proven performance record in a wide range of markets.

Applications:

- Chemical Engineering
- Electrical Engineering
- Material Science
- Environmental Toxic Analysis
- Analytical Chemistry
- Metallurgy
- Water Treatment Facilities
- Toxicology
- Trace Metal Analysis
- Marine Science
- Waste Management
- Soil Science
- Semiconductor

Durable Polypropylene Construction

NuAire Polypropylene products are constructed from primarily stress-relieved, fully seam-welded, and reinforced white polypropylene. The outer cabinet shell, inner workspace walls, spill trough plenum under workspace, and shelves are constructed from 1/2 inch (13 mm) polypropylene. The exhaust duct, access panels, and work surface are constructed from 1/4 inch (6 mm) polypropylene.

Polypropylene is a highly corrosive-resistant material that has high temperature and tensile strength. It possesses excellent chemical resistance to organic solvents and degreasing agents as well as electrolytic attack. The properties of polypropylene are enhanced with anti-oxidizing agents and UV stabilizers to increase strength

and improve thermal characteristics. Polypropylene is lightweight, stain resistant, and has a low moisture absorption rate. All this makes NuAire polypropylene products an excellent choice for long-lasting, highly corrosive-resistant, metal-free applications.

Our product's basic construction is polypropylene. However, depending upon customer requirements, other thermoplastics may be used. Polyvinyl Chloride (PVC), Chlorinated Polyvinyl Chloride (CPVC), Flame Retardant Polypropylene, Polyvinylidene Fluoride (PVDF), High Density Polyethylene (HDPE), and TFE-Tetrafluoroethylene (Teflon®) are available.

Virtually Metal Free

All FumeGard cabinets are virtually metal free and do not use nylon components. "Double wall"

construction forms the plumbing chase for the routing and connection of all services required **[A, B]**, including the electrical outlets. The sloped bottom polypropylene sink basin and strainer are fabricated from 1/4 inch (6 mm) polypropylene **[C]**. Access panels are provided for front maintenance of HEPA filters, services, electronic systems, and counterweight balance system. The window counterbalance contains metallic weights, but is encased in PVC **[D]**. Metallic components, such as the fluorescent lighting, are fully encased in non-metallic materials **[E]**. Drawers, drawer guides, sliding window components, drawer pulls, handles, hinges, and screws are also manufactured using polypropylene **[F, G, H]**.





FumeGard NU-156

Vertical Laminar Airflow Fume Hood for High Acid and Trace Metal Analysis Use

Constructed almost entirely of polypropylene, this fume hood contains the HEPEX™ Zero Leak Airflow System, available only from NuAire. The HEPEX™ system prevents uneven particulate loading by eliminating direct blasts to the HEPA filter, dispensing air over 100% of the surface. The system surrounds positive pressure airflow chambers and ducts with negative air pressure relative to the laboratory. This limits the possibility of leaks and guards against filter failure.

The FumeGard NU-156 is designed and tested to meet product and personnel containment performance as established by National Sanitation Foundation Standard No. 49 for Biological Safety Cabinets. These cabinets meet or exceed Federal Standard 209e, Class 10 air quality conditions, and have been independently tested for containment properties in accordance to ASHRAE Standard 110-1995 for Fume Hoods.

Standard Features

- HEPEX™ Zero Leak Air Flow System
- Large Separator-Less (Aluminum Free) HEPA Filters, 99.99% Efficient on 0.3 Micron Particles
- PVC Diffuser over Supply HEPA
- 1/2" (13 mm) Stress Relieved All Seam Welded Polypropylene Work Zone
- Vented and Plumbed Spill Trough Plenum under Work Surface
- 1/4" (6 mm) Lexan® with Margard® View Screen with 10" (254 mm) Access Opening at 105 LFPM
- View Screen Slides 19 1/2" (495 mm) Maximum Opening to Fully Closing
- Removable Work Surface/Inlet Grill
- Front Filter Removal without Removing View Screen
- Polypropylene Blower/HEPA Filter Module
- Polypropylene Enclosed Fluorescent Lighting with Lexan Cover: 100 Foot-Candles (1076 LUX) with Low-Heat Fluorescent Ballast
- Modular Electrical Component Construction Sealed in Polypropylene Case with Access Panel
- Solid State Motor Voltage Regulator

Optional Features

- ULPA Filters: 99.999% Efficient on 0.12 Micron Particles
- Remote Controlled Service Valves for Air, Vacuum, and/or N2 Available in PVC, PVDF, Teflon® or Polypropylene*
- Magnehelic Gauge to Monitor Supply Plenum Encased in Polypropylene Housing with Lexan® Window
- Additional Duplex Outlet(s) with PVC Covers
- Cascade Rinse Tanks with Nitrogen Purge
- Digital Manometer/Alarm
- Exhaust Interlocks for Building Controls
- D.I. or N2 Teflon® Spray Guns
- Teflon®, PVDF, or Polypropylene Dip Tanks with or without Drains
- Polypropylene or PVDF sinks with Hot/Cold or D.I. Water Faucets
- Teflon® Liquid/Air Aspirators to Syphon Chemicals
- Fully Perforated Work Surface (10% Open)
- Polypropylene Rectangle-to-Round Exhaust Transitions
- Custom Polypropylene Sinks with Chemically Resistant "P"-Trap
- Ground Fault Circuit Interrupter for Duplex Outlet
- Vented Base Support Cabinet

NU-156 Specifications

Overall Dimensions	4 ft Models	5 ft Models	6 ft Models	8 ft Models
Width	48 1/2" (1232 mm)	60 1/2" (1537 mm)	72 1/2" (1842 mm)	96 1/2" (2451 mm)
Depth: 24" Work Surface	36" (914 mm)	36" (914 mm)	36" (914 mm)	36" (914 mm)
Depth: 30" Work Surface (includes light and duct)	42" (1067 mm)	42" (1067 mm)	42" (1067 mm)	42" (1067 mm)
Height (includes pre-filter grill)	67 5/8" (1718 mm)	67 5/8" (1718 mm)	67 5/8" (1718 mm)	67 5/8" (1718 mm)
Work Area Dimensions				
Width	38 1/2" (978 mm)	50 1/2" (1283 mm)	62 1/2" (1588 mm)	86 1/2" (2197 mm)
Depth: 24" Work Surface	25 1/2" (648 mm)	25 1/2" (648 mm)	25 1/2" (648 mm)	25 1/2" (648 mm)
Depth: 30" Work Surface	31 1/2" (800 mm)	31 1/2" (800 mm)	31 1/2" (800 mm)	31 1/2" (800 mm)
Height	29" (737 mm)	29" (737 mm)	29" (737 mm)	29" (737 mm)
Shipping Weight**				
24" Work Surface	705 lbs (320 kg)	730 lbs (332 kg)	825 lbs (375 kg)	1265 lbs (575 kg)
30" Work Surface	756 lbs (344 kg)	839 lbs (381 kg)	900 lbs (409 kg)	1325 lbs (602 kg)
Exhaust Requirements***				
24" Work Surface	759 cFM (1290 m/hr)	995 cFM (1690 m/hr)	1232 cFM (2093 m/hr)	1705 cFM (2897 m/hr)
30" Work Surface	863 cFM (1466 m/hr)	1133 cFM (1925 m/hr)	1402 cFM (2382 m/hr)	1941 cFM (3298 m/hr)
Certification Value				
24" Work Surface	690 cFM (1171 m/hr)	905 cFM (1538 m/hr)	1120 cFM (1903 m/hr)	1550 cFM (2633 m/hr)
30" Work Surface	785 cFM (1334 m/hr)	1030 cFM (1753 m/hr)	1275 cFM (2168 m/hr)	1765 cFM (3000 m/hr)
Exhaust Static				
	0.8" (20 mm) w.g.	0.8" (20 mm) w.g.	0.8" (20 mm) w.g.	1.5" (38 mm) w.g.
Exhaust Duct Opening				
	4" x 24" (102 x 610 mm)	4" x 30" (102 x 762 mm)	4" x 30" (102 x 762 mm)	4" x 36" (102 x 914 mm)
Airflow Characteristics				
Down Flow Velocity: 60 LFPM (0.30 m/s) Inflow Velocity: 105 LFPM (0.53 m/s) @ 10" Access Opening				
Electrical Requirements****				
115 Volts AC, 60 Hz – or – 230 50 Hz Blower/Lights (Amps): 6 (8 for 8 ft Model) – or – (3 @ 230 VAC) Outlet 115 V (Amps): 15***** – or – (10 @ 230 VAC)				

* Metallic pipe, required for natural gas, or any other metallic surface, is coated with a 20-mil thickness of thermoplastic powder PolyArmor.®

** Includes fume hood base cabinet. Leg levelers, handles, hinges and screws are made of polypropylene. Solid doors have adjustable air vents and are secured with a concealed magnetic latch.

*** Concurrent Balance Value shall be used for design and balance exhaust/supply HVAC requirements.

**** Metal or PVC junction box is provided for electrical connections.

***** If more amperage is required, separate circuits can be provided at additional cost.



FumeGard NU-162

Conventional Fume Hood

The FumeGard NU-162 is built primarily of stress-relieved polypropylene to which NuAire has added anti-oxidizing agents and UV stabilizers. This increases tensile strength and improves thermal characteristics. NU-162 has a single piece airfoil across the bottom of the work access opening. As the sash is lowered, the face velocity increases rapidly. Fumes, gases, vapors, aerosols, and particulate are drawn through vents by an exterior exhaust duct. "Double wall" construction forms the plumbing chase for routing and connecting all services. This compartment is under negative pressure to minimize fume build-up.

NU-162 FumeGard has been independently tested to meet and exceed the requirements of ASHRAE Standard 110-1995 and is SEFA 1-1992 certified.

Available in polypropylene, PVC, CPVC, Flame Retardant Polypropylene, PVDF, HDPE or Teflon® construction.

Standard Features

- Superstructure Constructed from 1/2" (13 mm) Stress Relieved, All Seam Welded Polypropylene
- All Negative Pressure Interior
- Sealed Interior Fluorescent Lighting: 100 Foot-Candles (1076 LUX)
- Electronic Fluorescent Lamp Ballast
- Counterbalanced Lexan® View Screen Slides 18" (457 mm) Maximum Opening to Fully Closing
- Flush Mounted Exterior/Interior Plumbing Chase Access Panels
- Connection Provided for Venting a Base Cabinet
- Removable Rear Baffle for Maintenance
- Reinforced 1/2" (13 mm) Thick Polypropylene Work Surface
- Lower Work Access Opening Airfoil
- PVC Electrical Junction Box
- Modular Electrical Component Construction

Optional Features

- PVDF Lined Interior or Flame Retardant Polypropylene Fume Hood
- Composition Stone/Modified Epoxy Resin Work Surfaces
- Air Flow Alarm Systems
- Remote Controlled Service Valves for Air, Vacuum, and/or N2 Available in Polypropylene. Other Options Available upon Request.
- Cascade or Single Rinse Tanks with/without Nitrogen Purge
- Rear Exhaust Duct Wash-down System
- Polypropylene, Teflon® or PVDF Gooseneck Faucets
- Custom Polypropylene Sinks with Chemically Resistant "P"-Trap
- Teflon®, PVDF, or Polypropylene Dip Tanks with/without Drains
- Polypropylene or PVDF Sinks with Hot/Cold or D.I. Water Faucets
- Teflon® Liquid/Air Aspirators to Syphon Chemicals
- D.I. Water or N2 Teflon® Spray Guns
- Exhaust Interlocks for Building Controls
- Polypropylene Exhaust Damper with Quadrant Lock
- Ground Fault Circuit Interrupter for Duplex Outlet(s)
- Additional Duplex Outlet(s) with PVC Covers

NU-162 Specifications

Overall Dimensions	4 ft Models	5 ft Models	6 ft Models	8 ft Models
Width	48 1/2" (1232 mm)	60 1/2" (1537 mm)	72 1/2" (1842 mm)	96 1/2" (2451 mm)
Depth (excludes removable canopy)	31 1/2"–37 1/2" (800-952 mm)	31 1/2"–37 1/2" (800-952 mm)	31 1/2"–37 1/2" (800-952 mm)	31 1/2"–37 1/2" (800-952 mm)
Height (includes exhaust collar)	60 1/2" (1537 mm)	60 1/2" (1537 mm)	60 1/2" (1537 mm)	60 1/2" (1537 mm)
Height (with base)	88 3/4" (2254 mm)	88 3/4" (2254 mm)	88 3/4" (2254 mm)	88 3/4" (2254 mm)
Work Area Dimensions				
Width	38 1/2" (978 mm)	50 1/2" (1283 mm)	62 1/2" (1588 mm)	86 1/2" (2197 mm)
Depth: 24" Work Surface	25 1/2" (648 mm)	25 1/2" (648 mm)	25 1/2" (648 mm)	25 1/2" (648 mm)
Depth: 30" Work Surface	31 1/2" (800 mm)	31 1/2" (800 mm)	31 1/2" (800 mm)	31 1/2" (800 mm)
Height	29" (737 mm)	29" (737 mm)	29" (737 mm)	29" (737 mm)
Shipping Weight*				
24" Work Surface	705 lbs (320 kg)	730 lbs (332 kg)	825 lbs (375 kg)	1265 lbs (575 kg)
30" Work Surface	756 lbs (344 kg)	839 lbs (381 kg)	900 lbs (409 kg)	1325 lbs (602 kg)
Airflow Characteristics				
Inflow Velocity	105 LFPM (0.53 m/s)	105 LFPM (0.53 m/s)	105 LFPM (0.53 m/s)	105 LFPM (0.53 m/s)
Exhaust Volume (window full open)	481 cFM (818 cMH)	631 cFM (1073 cMH)	781 cFM (1328 cMH)	1081 cFM (1838 cMH)
Exhaust Static	0.3" (8 mm) w.g.	0.4" (10 mm) w.g.	0.5" (13 mm) w.g.	0.8" (20 mm) w.g.
Exhaust Duct Opening	12" diameter (305 mm)	12" diameter (305 mm)	12" diameter (305 mm)	12" diameter (305 mm)
Electrical Requirements**				
Volts AC, 60 Hz	115	115	115	115
Optional 230 VAC	230 50 Hz	230 50 Hz	230 50 Hz	230 50 Hz
Lights (Amps)	1	1	1	1
Amps @ Optional 230 VAC	1/2	1/2	1/2	1/2
Outlet (Amps)	15	15	15	15
Amps @ Optional 230 VAC	10	10	10	10

* Includes fume hood base cabinet. The leg levelers, easy-to-clean handles, hinges and screws are all made of polypropylene. Each solid polypropylene door has adjustable ventilation air vents and is secured with an easy-to-open concealed magnetic latch.

** For electrical connections PVC junction box is provided.



FumeGard NU-164

By-Pass Fume Hood

Constructed of stress-relieved polypropylene, the FumeGard NU-164 has a by-pass (protected by a grill) which maintains a constant volume of airflow. As the sash is closed, air is by-passed at the top of the hood, causing the hood face velocity to increase much more slowly than a conventional fume hood. A deflector vane across the bottom of the opening directs airflow across the work surface. This provides a permanent opening even when the sash is closed. Most of the exhausted air enters the fume hood through the by-pass. The eye-level Control Center has on/off switches for exterior mounted fluorescent light or optional electrical devices (outlets, window alarms, night setback controls, or exhaust blower interlock systems).

The cabinet is designed to sit on existing casework or a NuAire polypropylene base. The NU-164 can be designed to meet your specific laboratory requirements.

Standard Features

- Superstructure Constructed from 1/2" (13 mm) Stress Relieved, All Seam Welded Polypropylene
- All Negative Pressure Interior
- Air By-Pass for More Uniform Face Velocity During View Screen Manipulation
- Sealed Interior Fluorescent Lighting: 100 Foot-Candles (1076 LUX)
- Electronic Fluorescent Lamp Ballast
- Counterbalanced Lexan® View Screen Slides 18" (457 mm) Maximum Opening to Fully Closing
- Flush Mounted Exterior/Interior Plumbing Chase Access Panels
- Polypropylene Service Valves (Except Natural Gas)
- Connection Provided for Venting a Base Cabinet
- Rear Baffle Removable for Maintenance
- Reinforced 1/2" (13 mm) Polypropylene Work Surface
- Lower Work Access Opening Airfoil
- PVC Electrical Junction Box
- Modular Electrical Component Construction

Optional Features

- PVDF Lined Interior or Flame Retardant Polypropylene Fume Hood
- Composition Stone/Modified Epoxy Resin Work Surfaces
- Air Flow Alarm Systems
- Remote Controlled Service Valves for Gas, Air, Vacuum, Available in PVC, PVDF, Teflon® or Polypropylene*
- Cascade or Single Rinse Tanks with/without Nitrogen Purge
- Rear Exhaust Duct Wash-Down System
- Polypropylene, Teflon® or PVDF Gooseneck Faucets
- Custom Polypropylene Sinks with Chemically Resistant "P"-Trap
- Teflon®, PVDF, or Polypropylene Dip Tanks with/without Drains
- Polypropylene or PVDF Sinks with Hot/Cold or D.I. Water Faucets
- Teflon® Liquid/Air Aspirators to Syphon Chemicals
- D.I. Water or N2 Teflon® Spray Guns
- Exhaust Interlocks for Building Controls
- Polypropylene Exhaust Damper with Quadrant Lock
- Ground Fault Circuit Interrupter for Duplex Outlet(s)
- Additional Duplex Outlet(s) with PVC Covers

NU-164 Specifications

Overall Dimensions	4 ft Models	5 ft Models	6 ft Models	8 ft Models
Width	48 1/2" (1232 mm)	60 1/2" (1537 mm)	72 1/2" (1842 mm)	96 1/2" (2451 mm)
Depth (excludes removable canopy)	31 1/2"-37 1/2" (800-952 mm)	31 1/2"-37 1/2" (800-952 mm)	31 1/2"-37 1/2" (800-952 mm)	31 1/2"-37 1/2" (800-952 mm)
Height (includes exhaust collar)	60 1/2" (1537 mm)	60 1/2" (1537 mm)	60 1/2" (1537 mm)	60 1/2" (1537 mm)
Height (with base)	88 3/4" (2254 mm)	88 3/4" (2254 mm)	88 3/4" (2254 mm)	88 3/4" (2254 mm)
Work Area Dimensions				
Width	38 1/2" (978 mm)	50 1/2" (1283 mm)	62 1/2" (1588 mm)	86 1/2" (2197 mm)
Depth: 24" Work Surface	25 1/2" (648 mm)	25 1/2" (648 mm)	25 1/2" (648 mm)	25 1/2" (648 mm)
Depth: 30" Work Surface	31 1/2" (800 mm)	31 1/2" (800 mm)	31 1/2" (800 mm)	31 1/2" (800 mm)
Height	29" (737 mm)	29" (737 mm)	29" (737 mm)	29" (737 mm)
Shipping Weight**				
24" Work Surface	705 lbs (320 kg)	730 lbs (332 kg)	825 lbs (375 kg)	1265 lbs (575 kg)
30" Work Surface	756 lbs (344 kg)	839 lbs (381 kg)	900 lbs (409 kg)	1325 lbs (602 kg)
Airflow Characteristics				
Inflow Velocity	105 LFPM (0.53 m/s)	105 LFPM (0.53 m/s)	105 LFPM (0.53 m/s)	105 LFPM (0.53 m/s)
Exhaust Volume (window full open)	506 cFM (860 cMH)	665 cFM (1130 cMH)	823 cFM (1399 cMH)	1140 cFM (1938 cMH)
Exhaust Static	0.3" (8 mm) w.g.	0.4" (10 mm) w.g.	0.5" (13 mm) w.g.	0.8" (20 mm) w.g.
Exhaust Duct Opening	12" diameter (305 mm)	12" diameter (305 mm)	12" diameter (305 mm)	12" diameter (305 mm)
Electrical Requirements***				
Volts AC, 60 Hz	115	115	115	115
Optional 230 VAC	230 50 Hz	230 50 Hz	230 50 Hz	230 50 Hz
Lights (Amps)	1	1	1	1
Amps @ Optional 230 VAC	1/2	1/2	1/2	1/2
Outlet (Amps)	15	15	15	15
Amps @ Optional 230 VAC	10	10	10	10

* Metallic pipe, required for natural gas, or any other metallic surface, is coated with a 20-mil thickness of thermoplastic powder PolyArmor®

** Includes fume hood base cabinet. The leg levelers, easy-to-clean handles, hinges and screws are all made of polypropylene. Each solid polypropylene door has adjustable ventilation air vents and is secured with an easy-to-open concealed magnetic latch.

*** For electrical connections PVC junction box is provided.



NU-55-624

NU-55 Fume Hood Base

Polypropylene Fume Hood Bases

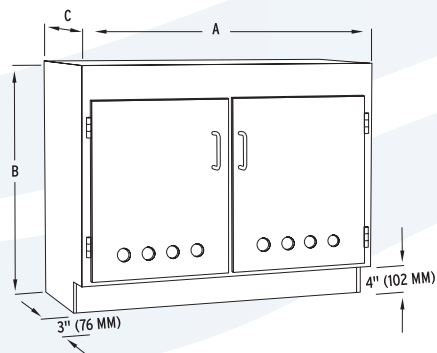
The NU-55 Fume Hood Base is available as an option for NuAire polypropylene fume hoods. The NU-55 is constructed from long-lasting, corrosive-resistant, white polypropylene. The outer cabinet shell, kick panel, and shelves are constructed using 1/2 inch (13 mm) polypropylene. The rear access panels use 1/4 inch (6 mm) polypropylene.

The entire cabinet is totally seam welded and reinforced with polypropylene supports to ensure the cabinets' ability to withstand the weight of the FumeGard Fume Hood. All bases come with adjustable leg levelers with 1 1/4 inch (32 mm) maximum adjustment.



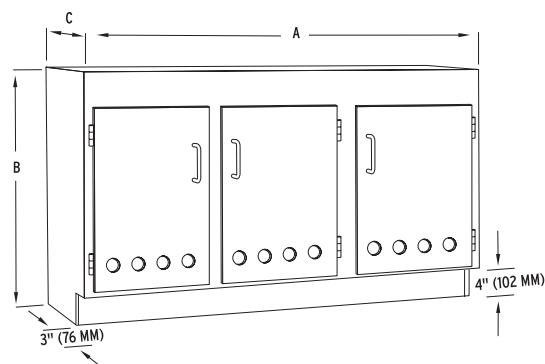
NU-55 4 ft Fume Hood Base

Overall Dimensions	Width (A)	Height (B)	Depth (C)
NU-55-424	48 1/2" (1232 mm)	28 1/4" (718 mm)	26" (660 mm)
NU-55-430	48 1/2" (1232 mm)	28 1/4" (718 mm)	32" (813 mm)



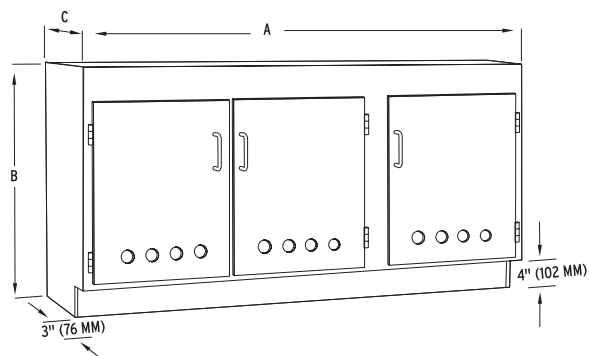
NU-55 5 ft Fume Hood Base

Overall Dimensions	Width (A)	Height (B)	Depth (C)
NU-55-524	60 1/2" (1537 mm)	28 1/4" (718 mm)	26" (660 mm)
NU-55-530	60 1/2" (1537 mm)	28 1/4" (718 mm)	32" (813 mm)



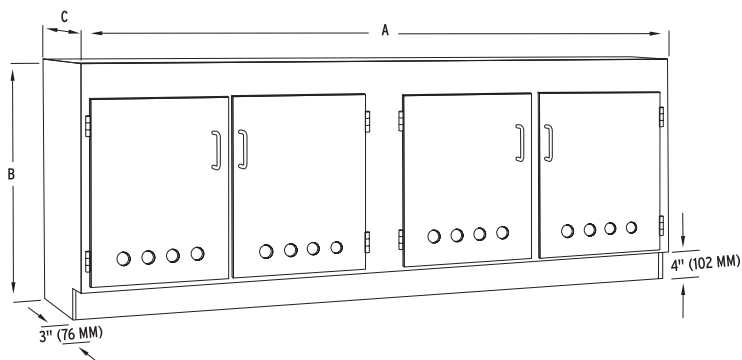
NU-55 6 ft Fume Hood Base

Overall Dimensions	Width (A)	Height (B)	Depth (C)
NU-55-624	72 1/2" (1842 mm)	28 1/4" (718 mm)	26" (660 mm)
NU-55-630	72 1/2" (1842 mm)	28 1/4" (718 mm)	32" (813 mm)



NU-55 8 ft Fume Hood Base

Overall Dimensions	Width (A)	Height (B)	Depth (C)
NU-55-824	96 1/2" (2451 mm)	28 1/4" (718 mm)	26" (660 mm)
NU-55-830	96 1/2" (2451 mm)	28 1/4" (718 mm)	32" (813 mm)



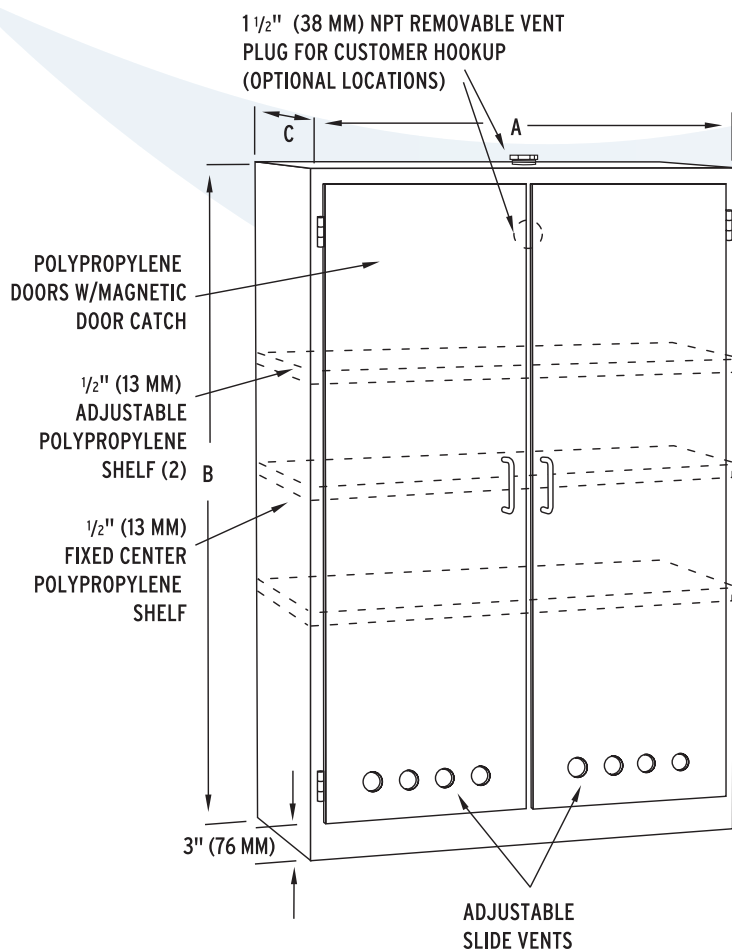


NU-53 Acid Storage Cabinets

Tall Vented Acid Storage Cabinets

NU-53 Acid Storage Cabinets are constructed from stress-relieved, fully seam-welded, white polypropylene. The outer cabinet shell, kick plate, and shelves are constructed from 1/2 inch (13 mm) polypropylene. The NU-53 Tall Double Door Cabinet has one fixed and two adjustable shelves with drip-proof lips. Cabinets come with a capped vent placed at the customer's specified location.

Each solid 1/2 inch (13 mm) polypropylene door features easy-to-clean handles, as well as hinges, and screws made of polypropylene. Doors are secured with Teflon® coated magnetic catches.



NU-53 Tall Vented Acid Storage Cabinet

Overall Dimensions	Width (A)	Height (B)	Depth (C)
NU-53-3660	36" (914 mm)	60" (1524 mm)	18" (457 mm)
NU-53-4260	42" (1067 mm)	60" (1524 mm)	18" (457 mm)
NU-53-4860	48" (1219 mm)	60" (1524 mm)	18" (457 mm)
NU-53-3684	36" (914 mm)	84" (2134 mm)	22" (559 mm)
NU-53-4284	42" (1067 mm)	84" (2134 mm)	22" (559 mm)
NU-53-4884	48" (1219 mm)	84" (2134 mm)	22" (559 mm)

The NU-53 features top and bottom shelves that are removable and adjustable in 2" (51 mm) increments using the provided pegs **[A]**. The shelves are also reversible, flat on one side **[B]** and with a 1/2" (13 mm) lip on the reverse side to contain spilled liquids **[C]**.





Polypropylene Casework

Modular Cabinetry

All casework is manufactured using stress-relieved, fully seam-welded, white polypropylene. Walls and floors are reinforced where required to maintain structural integrity. Doors are readily removable and hinges easily replaceable. Base cabinets with doors have 1/4 inch (6 mm) flush mounted access panels. The outer cabinet shell, kick plate, and shelves are 1/2 inch (13 mm) thick. Sliding wall case doors may use glass, Lexan™ or solid polypropylene.

NuAire polypropylene casework is designed to conform to a wide variety of unique customer requirements. Modifications, additions, optional accessories or customer-designed products can be fabricated to meet the specific needs of your laboratory application.



NU-13 Basic 5-Drawer Unit



NU-17 Combination 7-Drawer Unit



NU-30 Double Drawer/Door Combination Unit



NU-43 Double Hinged Framed Glass Door Wall Case



Wall and base cabinet shelves are adjustable and come with a drip-proof 1/2 inch (13 mm) lip.



20 Mil thickness PolyArmor® magnet imbedded in door and cabinet frame.

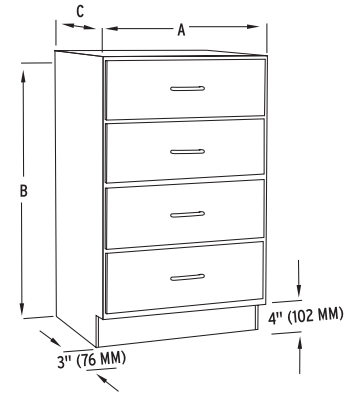


Drawers, drawer guides, sliding window components, drawer pulls, handles, hinges, and screws are all manufactured using polypropylene.

Base Cabinets

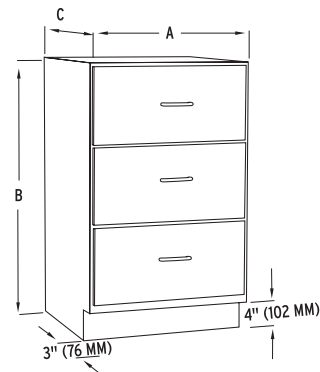
NU-10 Basic 4-Drawer Unit

Overall Dimensions	Width (A)	Height (B)	Depth (C)
NU-10-1830	18" (457 mm)	29" (737 mm)	22" (559 mm)
NU-10-2430	24" (610 mm)	29" (737 mm)	22" (559 mm)
NU-10-3030	30" (762 mm)	29" (737 mm)	22" (559 mm)
NU-10-3630	36" (914 mm)	29" (737 mm)	22" (559 mm)
NU-10-1836	18" (457 mm)	35" (889 mm)	22" (559 mm)
NU-10-2436	24" (610 mm)	35" (889 mm)	22" (559 mm)
NU-10-3036	30" (762 mm)	35" (889 mm)	22" (559 mm)
NU-10-3636	36" (914 mm)	35" (889 mm)	22" (559 mm)



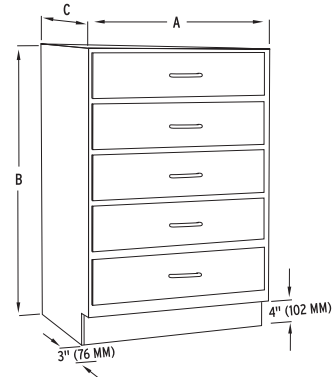
NU-11 Basic 3-Drawer Unit

Overall Dimensions	Width (A)	Height (B)	Depth (C)
NU-11-1830	18" (457 mm)	29" (737 mm)	22" (559 mm)
NU-11-2430	24" (610 mm)	29" (737 mm)	22" (559 mm)
NU-11-3030	30" (762 mm)	29" (737 mm)	22" (559 mm)
NU-11-3630	36" (914 mm)	29" (737 mm)	22" (559 mm)
NU-11-1836	18" (457 mm)	35" (889 mm)	22" (559 mm)
NU-11-2436	24" (610 mm)	35" (889 mm)	22" (559 mm)
NU-11-3036	30" (762 mm)	35" (889 mm)	22" (559 mm)
NU-11-3636	36" (914 mm)	35" (889 mm)	22" (559 mm)



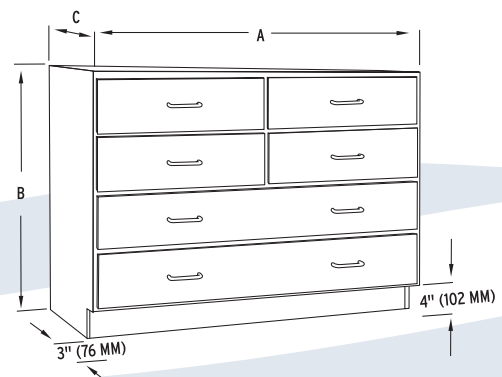
NU-13 Basic 5-Drawer Unit

Overall Dimensions	Width (A)	Height (B)	Depth (C)
NU-13-1836	18" (457 mm)	35" (889 mm)	22" (559 mm)
NU-13-2436	24" (610 mm)	35" (889 mm)	22" (559 mm)
NU-13-3036	30" (762 mm)	35" (889 mm)	22" (559 mm)
NU-13-3636	36" (914 mm)	35" (889 mm)	22" (559 mm)



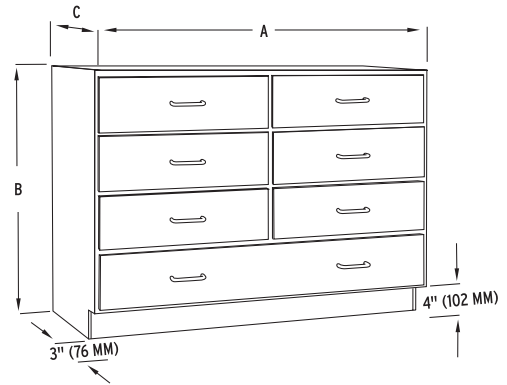
NU-15 Combination 6-Drawer Unit

Overall Dimensions	Width (A)	Height (B)	Depth (C)
NU-15-3630	36" (914 mm)	29" (737 mm)	22" (559 mm)
NU-15-4230	42" (1067 mm)	29" (737 mm)	22" (559 mm)
NU-15-4830	48" (1219 mm)	29" (737 mm)	22" (559 mm)
NU-15-3636	36" (914 mm)	35" (889 mm)	22" (559 mm)
NU-15-4236	42" (1067 mm)	35" (889 mm)	22" (559 mm)
NU-15-4836	48" (1219 mm)	35" (889 mm)	22" (559 mm)



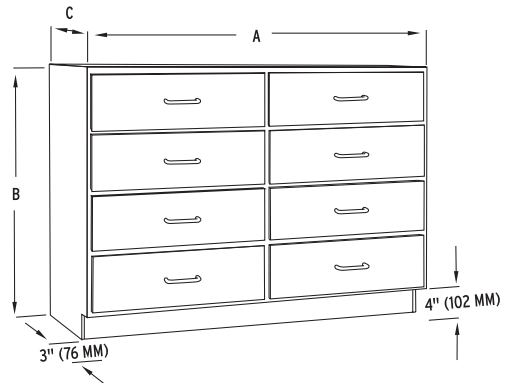
NU-17 Combination 7-Drawer Unit

Overall Dimensions	Width (A)	Height (B)	Depth (C)
NU-17-3630	36" (914 mm)	29" (737 mm)	22" (559 mm)
NU-17-4230	42" (1067 mm)	29" (737 mm)	22" (559 mm)
NU-17-4830	48" (1219 mm)	29" (737 mm)	22" (559 mm)
NU-17-3636	36" (914 mm)	35" (889 mm)	22" (559 mm)
NU-17-4236	42" (1067 mm)	35" (889 mm)	22" (559 mm)
NU-17-4836	48" (1219 mm)	35" (889 mm)	22" (559 mm)



NU-20 Basic Double 4-Drawer Unit

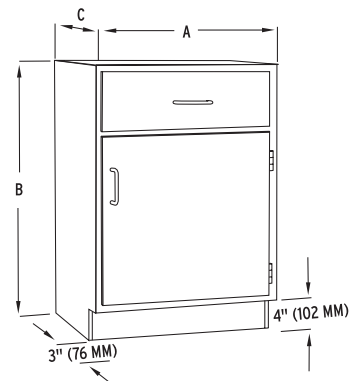
Overall Dimensions	Width (A)	Height (B)	Depth (C)
NU-20-3630	36" (914 mm)	29" (737 mm)	22" (559 mm)
NU-20-4230	42" (1067 mm)	29" (737 mm)	22" (559 mm)
NU-20-4830	48" (1219 mm)	29" (737 mm)	22" (559 mm)
NU-20-3636	36" (914 mm)	35" (889 mm)	22" (559 mm)
NU-20-4236	42" (1067 mm)	35" (889 mm)	22" (559 mm)
NU-20-4836	48" (1219 mm)	35" (889 mm)	22" (559 mm)



NU-25 Single Drawer/Door Combination Unit

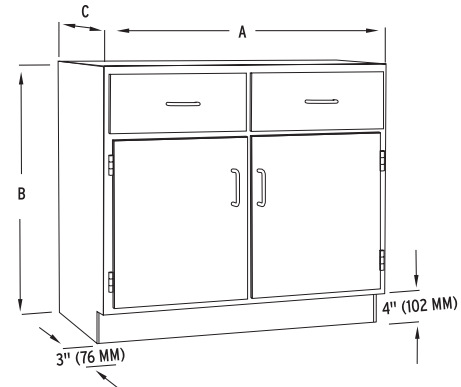
Overall Dimensions	Width (A)	Height (B)	Depth (C)
NU-25-1830 L/R	18" (457 mm)	29" (737 mm)	22" (559 mm)
NU-25-2430 L/R	24" (610 mm)	29" (737 mm)	22" (559 mm)
NU-25-3030 Double Door	30" (762 mm)	29" (737 mm)	22" (559 mm)
NU-25-1836 L/R	18" (457 mm)	35" (889 mm)	22" (559 mm)
NU-25-2436 L/R	24" (610 mm)	35" (889 mm)	22" (559 mm)
NU-25-3636 Double Door	30" (762 mm)	35" (889 mm)	22" (559 mm)

L = Left-hinged door / R = Right-hinged door



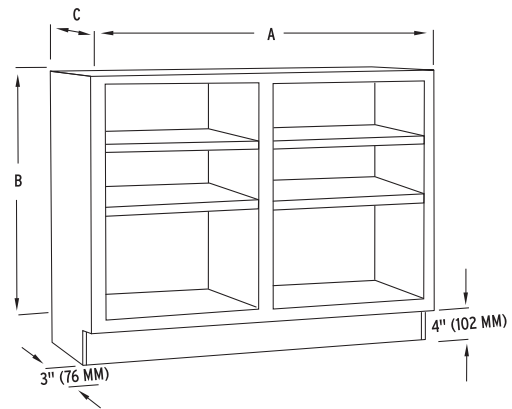
NU-30 Double Drawer/Door Combination Unit

Overall Dimensions	Width (A)	Height (B)	Depth (C)
NU-30-3630	36" (914 mm)	29" (737 mm)	22" (559 mm)
NU-30-4230	42" (1067 mm)	29" (737 mm)	22" (559 mm)
NU-30-4830	48" (1219 mm)	29" (737 mm)	22" (559 mm)
NU-30-3636	36" (914 mm)	35" (889 mm)	22" (559 mm)
NU-30-4236	42" (1067 mm)	35" (889 mm)	22" (559 mm)
NU-30-4836	48" (1219 mm)	35" (889 mm)	22" (559 mm)



NU-86 Open Bookcase Base Cabinet

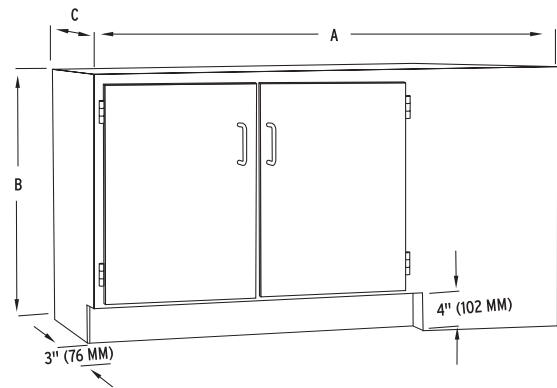
Overall Dimensions	Width (A)	Height (B)	Depth (C)
NU-86-3030	30" (762 mm)	29" (737 mm)	22" (559 mm)
NU-86-3630	36" (914 mm)	29" (737 mm)	22" (559 mm)
NU-86-4230	42" (1067 mm)	29" (737 mm)	22" (559 mm)
NU-86-4830	48" (1219 mm)	29" (737 mm)	22" (559 mm)
NU-86-3036	30" (762 mm)	35" (889 mm)	22" (559 mm)
NU-86-3636	36" (914 mm)	35" (889 mm)	22" (559 mm)
NU-86-4236	42" (1067 mm)	35" (889 mm)	22" (559 mm)
NU-86-4836	48" (1219 mm)	35" (889 mm)	22" (559 mm)



NU-91 Solid Hinged Door Blind Corner Cabinet

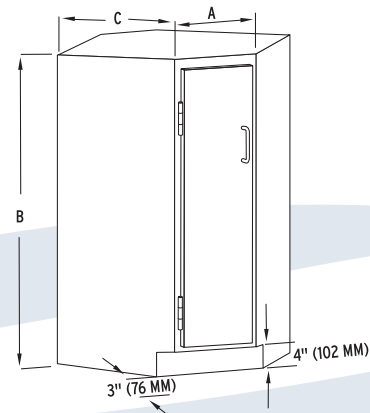
Overall Dimensions	Width (A)	Height (B)	Depth (C)
NU-91-3030 L/R	52" (1321 mm)	29" (737 mm)	22" (559 mm)
NU-91-3630 L/R	58" (1473 mm)	29" (737 mm)	22" (559 mm)
NU-91-4230 L/R	64" (1626 mm)	29" (737 mm)	22" (559 mm)
NU-91-4830 L/R	70" (1778 mm)	29" (737 mm)	22" (559 mm)
NU-91-3036 L/R	52" (1321 mm)	35" (889 mm)	22" (559 mm)
NU-91-3636 L/R	58" (1473 mm)	35" (889 mm)	22" (559 mm)
NU-91-4236 L/R	64" (1626 mm)	35" (889 mm)	22" (559 mm)
NU-91-4836 L/R	70" (1778 mm)	35" (889 mm)	22" (559 mm)

L = Left-hinged door / R = Right-hinged door



NU-93 Polypropylene Corner Cabinet

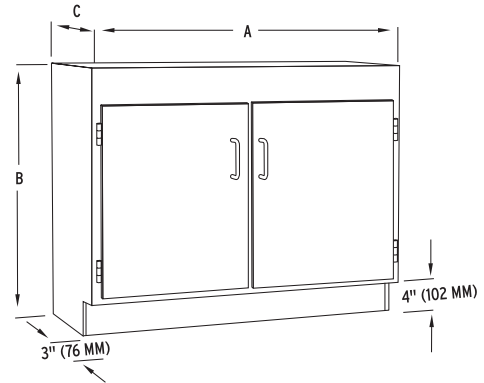
Overall Dimensions	Width (A)	Height (B)	Depth (C)
NU-93-1230	12" (305 mm)	29" (737 mm)	22" (559 mm)
NU-93-1630	16" (406 mm)	29" (737 mm)	22" (559 mm)
NU-93-1236	12" (305 mm)	35" (889 mm)	22" (559 mm)
NU-93-1636	16" (406 mm)	35" (889 mm)	22" (559 mm)



Sink Units and Vented Storage

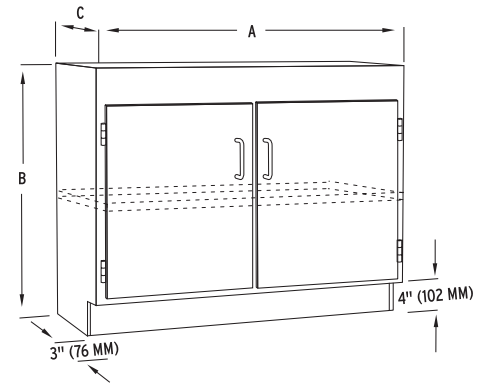
NU-45 Double Door Sink Unit

Overall Dimensions	Width (A)	Height (B)	Depth (C)
NU-45-3030	30" (762 mm)	29" (737 mm)	22" (559 mm)
NU-45-3630	36" (914 mm)	29" (737 mm)	22" (559 mm)
NU-45-4230	42" (1067 mm)	29" (737 mm)	22" (559 mm)
NU-45-4830	48" (1219 mm)	29" (737 mm)	22" (559 mm)
NU-45-3036	30" (762 mm)	35" (889 mm)	22" (559 mm)
NU-45-3636	36" (914 mm)	35" (889 mm)	22" (559 mm)
NU-45-4236	42" (1067 mm)	35" (889 mm)	22" (559 mm)
NU-45-4836	48" (1219 mm)	35" (889 mm)	22" (559 mm)



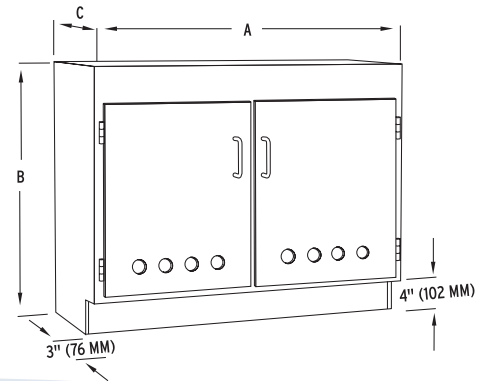
NU-46 Double Door Sink Unit with Shelf

Overall Dimensions	Width (A)	Height (B)	Depth (C)
NU-46-3030	30" (762 mm)	29" (737 mm)	22" (559 mm)
NU-46-3630	36" (914 mm)	29" (737 mm)	22" (559 mm)
NU-46-4230	42" (1067 mm)	29" (737 mm)	22" (559 mm)
NU-46-4830	48" (1219 mm)	29" (737 mm)	22" (559 mm)
NU-46-3036	30" (762 mm)	35" (889 mm)	22" (559 mm)
NU-46-3636	36" (914 mm)	35" (889 mm)	22" (559 mm)
NU-46-4236	42" (1067 mm)	35" (889 mm)	22" (559 mm)
NU-46-4836	48" (1219 mm)	35" (889 mm)	22" (559 mm)



NU-50 Vented Acid Storage Cabinet

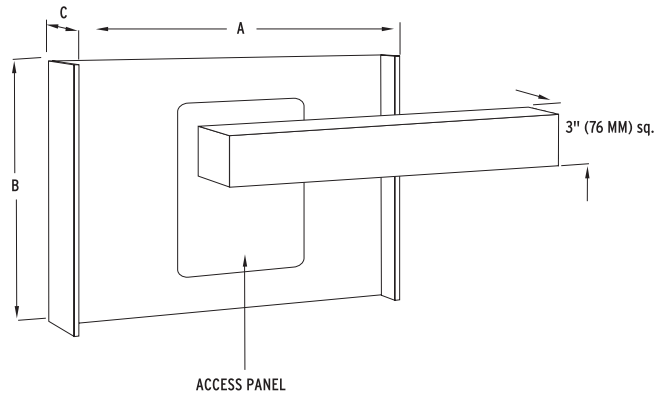
Overall Dimensions	Width (A)	Height (B)	Depth (C)
NU-50-3030	30" (762 mm)	29" (737 mm)	22" (559 mm)
NU-50-3630	36" (914 mm)	29" (737 mm)	22" (559 mm)
NU-50-4230	42" (1067 mm)	29" (737 mm)	22" (559 mm)
NU-50-4830	48" (1219 mm)	29" (737 mm)	22" (559 mm)
NU-50-3036	30" (762 mm)	35" (889 mm)	22" (559 mm)
NU-50-3636	36" (914 mm)	35" (889 mm)	22" (559 mm)
NU-50-4236	42" (1067 mm)	35" (889 mm)	22" (559 mm)
NU-50-4836	48" (1219 mm)	35" (889 mm)	22" (559 mm)



Knee Space and Filler Panels

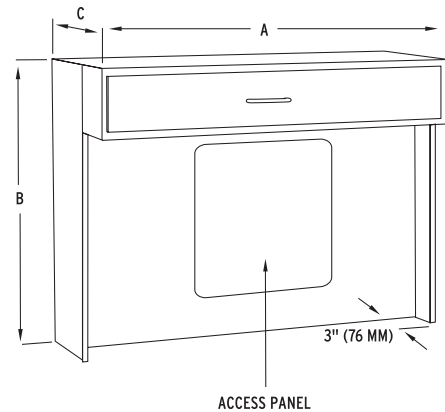
NU-60 Knee Space Kit

Overall Dimensions	Width (A)	Height (B)	Depth (C)
NU-60-3030	30" (762 mm)	29" (737 mm)	3" (76 mm)
NU-60-3630	36" (914 mm)	29" (737 mm)	3" (76 mm)
NU-60-4230	42" (1067 mm)	29" (737 mm)	3" (76 mm)
NU-60-4830	48" (1219 mm)	29" (737 mm)	3" (76 mm)
NU-60-3036	30" (762 mm)	35" (889 mm)	3" (76 mm)
NU-60-3636	36" (914 mm)	35" (889 mm)	3" (76 mm)
NU-60-4236	42" (1067 mm)	35" (889 mm)	3" (76 mm)
NU-60-4836	48" (1219 mm)	35" (889 mm)	3" (76 mm)



NU-61 Knee Space with Drawer

Overall Dimensions	Width (A)	Height (B)	Depth (C)
NU-61-3030	30" (762 mm)	29" (737 mm)	22" (559 mm)
NU-61-3630	36" (914 mm)	29" (737 mm)	22" (559 mm)
NU-61-4230	42" (1067 mm)	29" (737 mm)	22" (559 mm)
NU-61-4830	48" (1219 mm)	29" (737 mm)	22" (559 mm)
NU-61-3036	30" (762 mm)	35" (889 mm)	22" (559 mm)
NU-61-3636	36" (914 mm)	35" (889 mm)	22" (559 mm)
NU-61-4236	42" (1067 mm)	35" (889 mm)	22" (559 mm)
NU-61-4836	48" (1219 mm)	35" (889 mm)	22" (559 mm)



NU-70 Base Cabinet Filler Panels

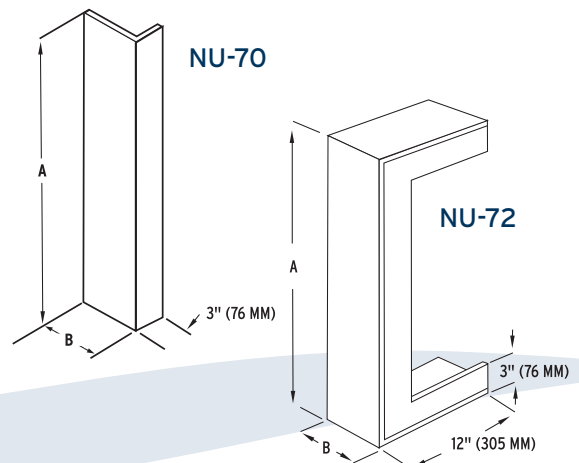
Overall Dimensions	Height (A)	Width (B)
NU-70-2907	29" (737 mm)	XX
NU-70-3507	35" (889 mm)	XX

XX is defined by specs

NU-72 Wall Cabinet Filler Panels

Overall Dimensions	Height (A)	Width (B)
NU-72-24	24" (610 mm)	XX
NU-72-30	30" (762 mm)	XX

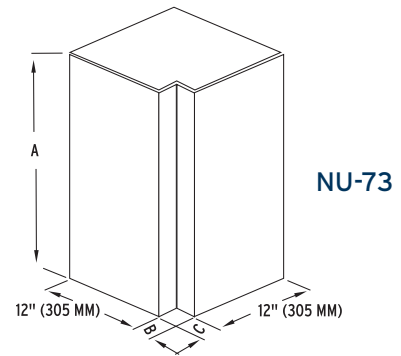
XX is defined by specs



NU-73 Wall Cabinet Corner Filler Panels

Overall Dimensions	Height (A)	Width (B)	Width (C)
NU-73-24	24" (610 mm)	XX	XX
NU-73-30	30" (762 mm)	XX	XX

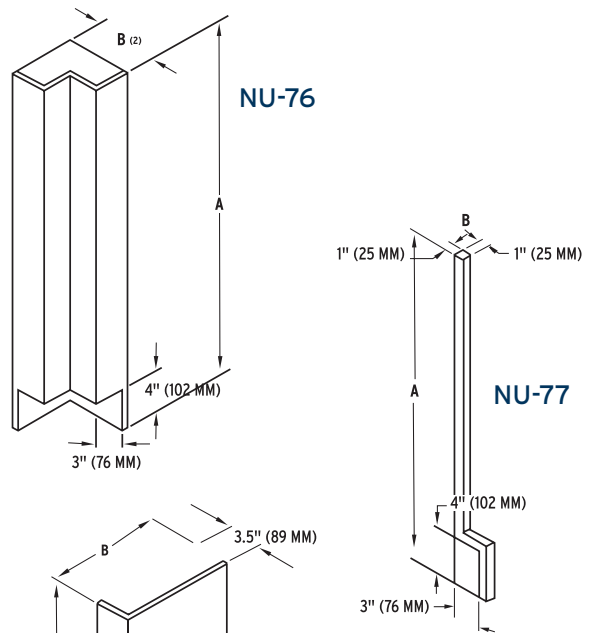
XX is defined by specs



NU-76 Base Cabinet Corner Filler Panels

Overall Dimensions	Height (A)	Width (B)
NU-76-2911	29" (737 mm)	XX
NU-76-3511	35" (889 mm)	XX

XX is defined by specs



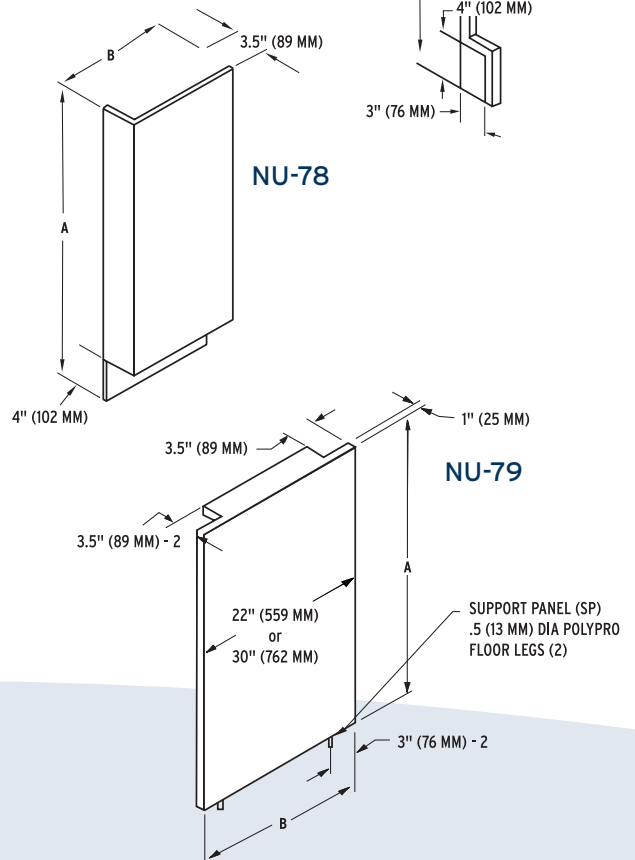
NU-77 Base Cabinet End Filler Panels

Overall Dimensions	Height (A)	Width (B)
NU-77-29	29" (737 mm)	1" (25 mm)
NU-77-35	35" (889 mm)	1" (25 mm)

NU-78 Base Cabinet Filler Panel

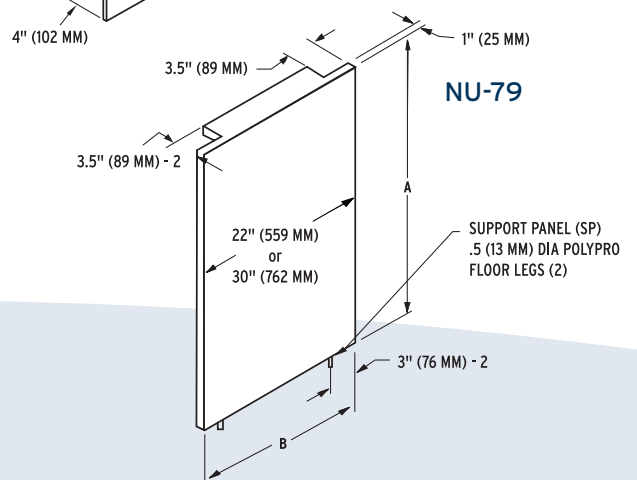
Overall Dimensions	Height (A)	Width (B)
NU-78-29XX	29" (737 mm)	XX
NU-78-35XX	35" (889 mm)	XX

XX is defined by specs



NU-79 Base Cabinet Knee Support Panel

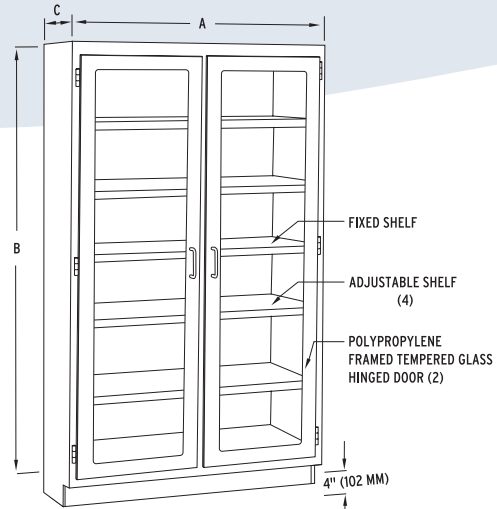
Overall Dimensions	Height (A)	Depth (B)
NU-79-2922	29" (737 mm)	22" (559 mm)
NU-79-3522	35" (889 mm)	22" (559 mm)
NU-79-2930	29" (737 mm)	30" (762 mm)
NU-79-3530	35" (889 mm)	30" (762 mm)



Tall Storage Cabinets

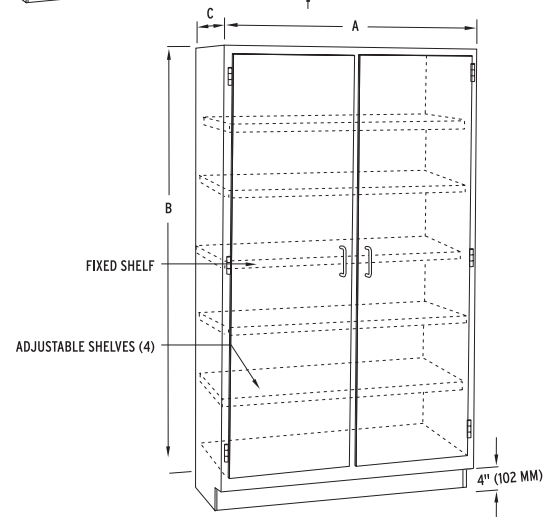
NU-80 Tall Framed Glass Door Storage Cabinet

Overall Dimensions	Width (A)	Height (B)	Depth (C)
NU-80-3084	30" (762 mm)	84" (2134 mm)	22" (559 mm)
NU-80-3684	36" (914 mm)	84" (2134 mm)	22" (559 mm)
NU-80-4284	42" (1067 mm)	84" (2134 mm)	22" (559 mm)
NU-80-4884	48" (1219 mm)	84" (2134 mm)	22" (559 mm)



NU-81 Tall Solid Door Storage Cabinet

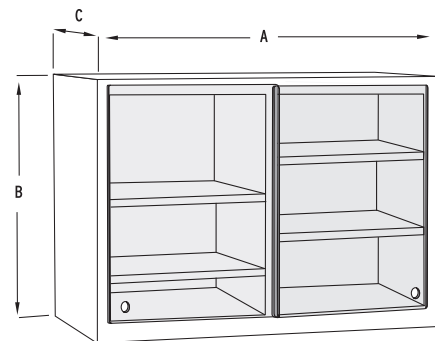
Overall Dimensions	Width (A)	Height (B)	Depth (C)
NU-81-3084	30" (762 mm)	84" (2134 mm)	22" (559 mm)
NU-81-3684	36" (914 mm)	84" (2134 mm)	22" (559 mm)
NU-81-4284	42" (1067 mm)	84" (2134 mm)	22" (559 mm)
NU-81-4884	48" (1219 mm)	84" (2134 mm)	22" (559 mm)



Wall Cases

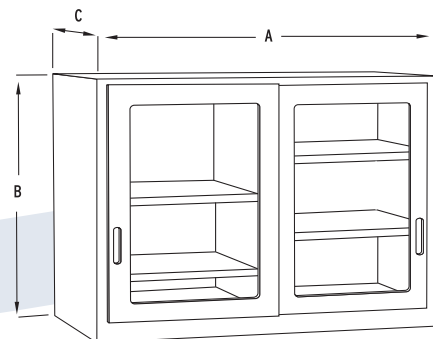
NU-35 Glass Sliding Door Wall Case

Overall Dimensions	Width (A)	Height (B)	Depth (C)
NU-35-3024	30" (762 mm)	24" (610 mm)	12" (305 mm)
NU-35-3624	36" (914 mm)	24" (610 mm)	12" (305 mm)
NU-35-4224	42" (1067 mm)	24" (610 mm)	12" (305 mm)
NU-35-4824	48" (1219 mm)	24" (610 mm)	12" (305 mm)
NU-35-3030	30" (762 mm)	30" (762 mm)	12" (305 mm)
NU-35-3630	36" (914 mm)	30" (762 mm)	12" (305 mm)
NU-35-4230	42" (1067 mm)	30" (762 mm)	12" (305 mm)
NU-35-4830	48" (1219 mm)	30" (762 mm)	12" (305 mm)



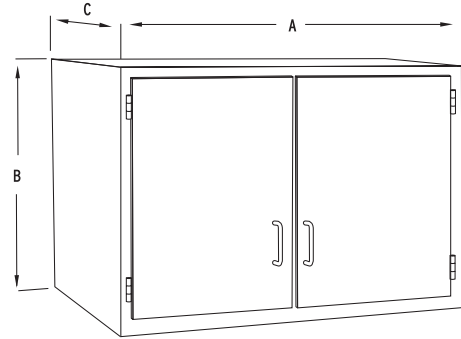
NU-36 Sliding Framed Glass Door Wall Case

Overall Dimensions	Width (A)	Height (B)	Depth (C)
NU-36-3024	30" (762 mm)	24" (610 mm)	12" (305 mm)
NU-36-3624	36" (914 mm)	24" (610 mm)	12" (305 mm)
NU-36-4224	42" (1067 mm)	24" (610 mm)	12" (305 mm)
NU-36-4824	48" (1219 mm)	24" (610 mm)	12" (305 mm)
NU-36-3030	30" (762 mm)	30" (762 mm)	12" (305 mm)
NU-36-3630	36" (914 mm)	30" (762 mm)	12" (305 mm)
NU-36-4230	42" (1067 mm)	30" (762 mm)	12" (305 mm)
NU-36-4830	48" (1219 mm)	30" (762 mm)	12" (305 mm)



NU-40 Solid Double Hinged Door Wall Case

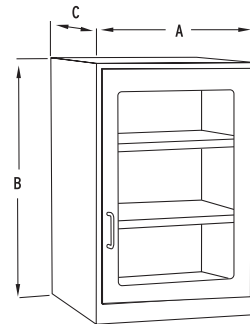
Overall Dimensions	Width (A)	Height (B)	Depth (C)
NU-40-3024	30" (762 mm)	24" (610 mm)	12" (305 mm)
NU-40-3624	36" (914 mm)	24" (610 mm)	12" (305 mm)
NU-40-4224	42" (1067 mm)	24" (610 mm)	12" (305 mm)
NU-40-4824	48" (1219 mm)	24" (610 mm)	12" (305 mm)
NU-40-3030	30" (762 mm)	30" (762 mm)	12" (305 mm)
NU-40-3630	36" (914 mm)	30" (762 mm)	12" (305 mm)
NU-40-4230	42" (1067 mm)	30" (762 mm)	12" (305 mm)
NU-40-4830	48" (1219 mm)	30" (762 mm)	12" (305 mm)



NU-41 Single Framed Glass Door Wall Case

Overall Dimensions	Width (A)	Height (B)	Depth (C)
NU-41-1824 L/R	18" (457 mm)	24" (610 mm)	12" (305 mm)
NU-41-2424 L/R	24" (610 mm)	24" (610 mm)	12" (305 mm)
NU-41-1830 L/R	18" (457 mm)	30" (762 mm)	12" (305 mm)
NU-41-2430 L/R	24" (610 mm)	30" (762 mm)	12" (305 mm)

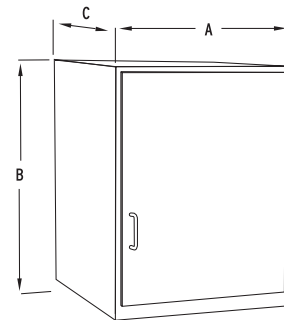
L = Left-hinged door / R = Right-hinged door



NU-42 Single Solid Door Wall Case

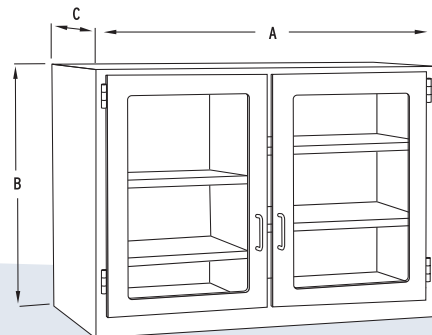
Overall Dimensions	Width (A)	Height (B)	Depth (C)
NU-42-1824 L/R	18" (457 mm)	24" (610 mm)	12" (305 mm)
NU-42-2424 L/R	24" (610 mm)	24" (610 mm)	12" (305 mm)
NU-42-1830 L/R	18" (457 mm)	30" (762 mm)	12" (305 mm)
NU-42-2430 L/R	24" (610 mm)	30" (762 mm)	12" (305 mm)

L = Left-hinged door / R = Right-hinged door



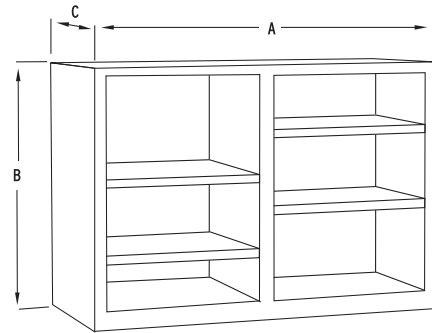
NU-43 Double Hinged Framed Glass Door Wall Case

Overall Dimensions	Width (A)	Height (B)	Depth (C)
NU-43-3024	30" (762 mm)	24" (610 mm)	12" (305 mm)
NU-43-3624	36" (914 mm)	24" (610 mm)	12" (305 mm)
NU-43-4224	42" (1067 mm)	24" (610 mm)	12" (305 mm)
NU-43-4824	48" (1219 mm)	24" (610 mm)	12" (305 mm)
NU-43-3030	30" (762 mm)	30" (762 mm)	12" (305 mm)
NU-43-3630	36" (914 mm)	30" (762 mm)	12" (305 mm)
NU-43-4230	42" (1067 mm)	30" (762 mm)	12" (305 mm)
NU-43-4830	48" (1219 mm)	30" (762 mm)	12" (305 mm)



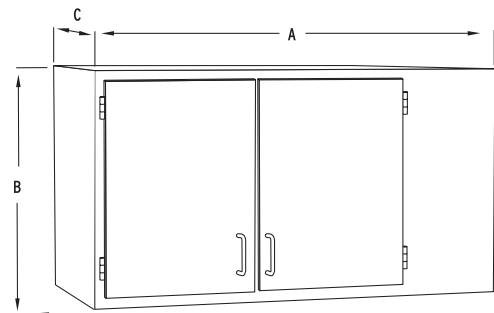
NU-85 Open Bookcase Wall Case

Overall Dimensions	Width (A)	Height (B)	Depth (C)
NU-85-3024	30" (762 mm)	24" (610 mm)	12" (305 mm)
NU-85-3624	36" (914 mm)	24" (610 mm)	12" (305 mm)
NU-85-4224	42" (1067 mm)	24" (610 mm)	12" (305 mm)
NU-85-4824	48" (1219 mm)	24" (610 mm)	12" (305 mm)
NU-85-3030	30" (762 mm)	30" (762 mm)	12" (305 mm)
NU-85-3630	36" (914 mm)	30" (762 mm)	12" (305 mm)
NU-85-4230	42" (1067 mm)	30" (762 mm)	12" (305 mm)
NU-85-4830	48" (1219 mm)	30" (762 mm)	12" (305 mm)



NU-90 Solid Hinged Door Blind Corner Wall Case

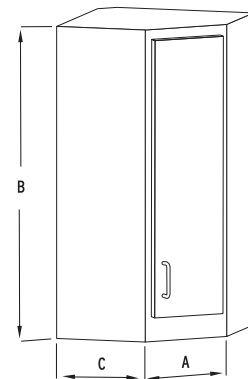
Overall Dimensions	Width (A)	Height (B)	Depth (C)
NU-90-3024 L/R	42" (1067 mm)	24" (610 mm)	12" (305 mm)
NU-90-3624 L/R	48" (1219 mm)	24" (610 mm)	12" (305 mm)
NU-90-4224 L/R	54" (1372 mm)	24" (610 mm)	12" (305 mm)
NU-90-4824 L/R	60" (1524 mm)	24" (610 mm)	12" (305 mm)
NU-90-3030 L/R	42" (1067 mm)	30" (762 mm)	12" (305 mm)
NU-90-3630 L/R	48" (1219 mm)	30" (762 mm)	12" (305 mm)
NU-90-4230 L/R	54" (1372 mm)	30" (762 mm)	12" (305 mm)
NU-90-4830 L/R	60" (1524 mm)	30" (762 mm)	12" (305 mm)



L = Left-hinged door / R = Right-hinged door

NU-92 Polypropylene Corner Wall Case

Overall Dimensions	Width (A)	Height (B)	Depth (C)
NU-92-1224	12" (305 mm)	24" (610 mm)	12" (305 mm)
NU-92-1624	16" (406 mm)	24" (610 mm)	12" (305 mm)
NU-92-1230	12" (305 mm)	30" (762 mm)	12" (305 mm)
NU-92-1630	16" (406 mm)	30" (762 mm)	12" (305 mm)



Other Available Casework & Custom Accessories

- NU-47 Polypropylene Sink Supports
- NU-56 Polypropylene Drying Rack
- NU-96 Polypropylene Laboratory Supply Cart
- NU-98 Custom Polypropylene Table

100% White Polypropylene Base, Chemical Resistant, Adjustable Leg Levelers, Size Determined by Customer
 Optional Features: Black Epoxy Top, Black Polypropylene Top, Casters

- NU-120 Polypropylene (Black or White) Countertop
- NU-100 Epoxy Resin Countertop

Countertops can be purchased with or without 4" (102 mm) back splash. Typically 1" (25 mm) thick.

Custom Kick Plates, Spacers, or Customize a Product for Your Specific Application



NU-96



NU-56



NU-98

AUTOKLAVEN & STERILISATOREN | SPÜLMASCHINEN | SICHERHEITSWERKBÄNKE
CO2-INKUBATOREN | ZENTRIFUGEN | REIN- & REINSTWASSERSYSTEME
ULTRATIEFKÜHLSCHRÄNKE | MEDIENZUBEREITUNG | SERVICE, WARTUNG, VALIDIERUNG

ibs | tecnomara
Innovative Systeme für die Biotechnologie

Ruhberg 4 | 35463 Fernwald
Telefon: +49 64 04 80 9 - 0

info@tecnomara.de
www.tecnomara.de