

AFI present
THE GENERATION

KATRINA

BLOOD BANK & HIGH CAPACITY CENTRIFUGE

From Experience comes Excellence



2023



LIA

Rotor 24 micro tubes
15 000 Rpm/ 21 380 x g
Ventilated & Refrigerated
8 rotors

LINA

Rotor 48 micro tubes
Rotor 6x 50mL
Rotor 6 Micro plates
23 000 Rpm/ 39 625x g
Ventilated & Refrigerated
11 rotors

SIRENA

24-36 tubes 5/7 mL
6x 100mL
18 000 Rpm/ 31514 x g
Refrigerated
Interactive display
Touch screen, 99 programs,
17 rotors

ISA

40 tubes 5/7 mL
6700 Rpm/ 6324 xg
Ventilated & Refrigerated
Touch Screen, 99 programs,
11 rotors

Micro
Research centers / Veterinaire



Performance
Research centers/ Universities

Compact
Small laboratories

High Capacity
Blood bank / Industry



KATRINA

12 Liters

4900 Rpm/ 7301 x g

Refrigerated Floor

Interactive communication, Touch screen,
Integral, 6 Rotors



LOREENA

108- 200 tubes 5/7 mL / 12x 50 mL

16000 Rpm/ 28 335x g

Ventilated & Refrigerated & Floor

Interactive communication,
Click Spin, Touch Screen,
15 Rotors



LISA

60-92 tubes 5-7 mL/ 8x100mL

18 000 Rpm/ 31514 x g

Ventilated & Refrigerated

Interactive Communication, Click Spin, Touch
Screen, 18 Rotors

Routine
Hospitals/ Medical analysis Laboratories

Groups

KATRINA 12L

Centrifuge

BLOOD BANK
Centrifuge

NEW GENERATION

The new generation of centrifuge for your blood bank center KATRINA benefits from the experience of AFI, it will easily and safely replace your old centrifuges. Katrina meets all your validated protocols for separating plasma, Buffy coat, red blood cells.

QUALITY THAT SPEAK FOR ITSELF

The «IDEM» application coupled with PFC (Power Factor Control) technology ensures a reproducibility of your cycles making Katrina an ideal centrifuge for simplified blood processing productivity

INTERACTIVE COMMUNICATION

With its large «Smartphone» touch screen colour display, KATRINA ensures interactive communication between you and the machine. Backlit display for better visibility Programming is greatly facilitated by direct access to all cycle parameters in a single window. Compatible with gloved hands.

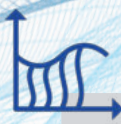
SECURITY

User access as password protection of the protocols ensures increased security and efficiency



Centrifuge	Description
AFI-C600R-2P-B12	KATRINA Blood Banking Centrifuge 6x 2000 mL
AFI-C600R-2P-B6	KATRINA Blood Banking Centrifuge 6x950 mL
Specifications	Swing-out rotor
Max Speed	4900rpm
Max RCF	7301 g
Max Loading	12 Liters
T° Range	-20°C/+40°C
Dim. (HxWxD)	95x81x96cm
Pack dim.	114x89x109cm
Weight	352kg

The high performance centrifuge



IDEM APPLICATION

The IDEM application guarantees a perfect reproduction of the cycle. Regardless of the environment (rotor change, partial bag loading, tension, machine age) the IDEM application guarantees identical results for all your cycles.

INTERNATIONAL AUTOMATIC ELECTRICAL CORRECTION



International automatic correction of the electrical network. Guarantees stability of the machine's performance.



INTERACTIVE DISPLAY

Its large touch screen, ensures simple communication between user and device. Backlight display for better visibility. One screen that grants direct access to all cycle parameters, also compatible with gloves

Its major assets

6 reasons

to choose it



Multi-user, password-protected access control for protocol protection

SECURITY

Centrifuge's electronic functions integrated into a front central unit. Plug & play system guaranteeing a fast and efficient intervention

THE BLUE BOX



You can set up your own programs, name it, lock it, choose slope rate, set up your own user preferences.

CUSTOMIZABLE PROGRAM

KATRINA

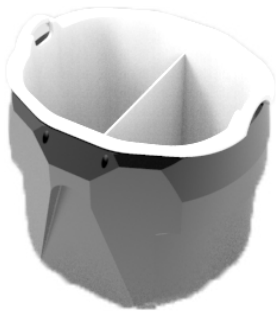
KATRINA, AFI's Topnotch Centrifuge

Designed to meet all needs related to blood treatment and optimized to reach the highest level of performance, while remaining ergonomic and user-friendly.



KATRINA, the New Generation in Centrifuge for your Transfusion Centers

Optimally designed by a group of French experts, KATRINA is a safe and easy alternative to your old centrifuges. Katrina meets validated protocol and international standards.



KATRINA, Quality that Speaks for Itself

The « IDEM » application combined with PFC (Power Factor Control) technology ensures cycle reproducibility, making KATRINA the ideal centrifuge for simple and productive blood treatment.

NEW GENERATION

KATRINA, AFI's Savoir-Faire

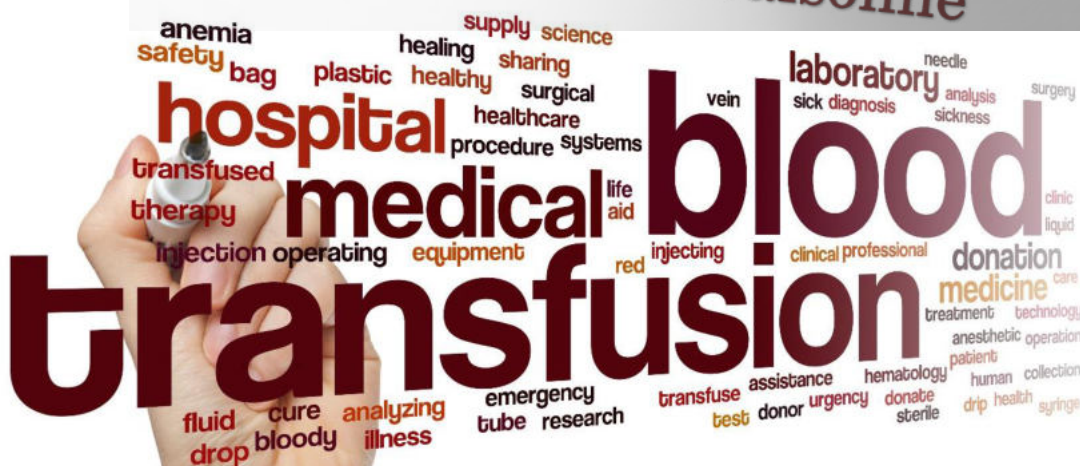
Modelled after AFI's latest technical practices, **KATRINA** truly represents state-of-the-art French design.

- AFI designs and manufactures its own motors
 - AFI designs and manufactures its own circuit boards
 - AFI designs and manufactures its own cooling units.
 - AFI designs and manufactures its own parts
- Its innovative suspension and noise reduction system make the **AFI** centrifuge the most reliable of its kind.

All **AFI** centrifuges are manufactured in Mayenne (France), a longtime leader in French centrifugation, and sealed with the "Made in France » quality stamp of approval

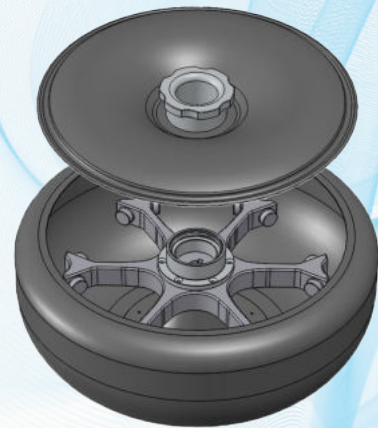


KATRINA
Un achat raisonné



AFI RX6-1000-12

Blood Bags Adapters selection guide



Model	R
Max Capacity	12 x 750 mL Bags / 6x 2L Bottles
Angle	90°
RPM Max	4 300
ACR Max	5 767

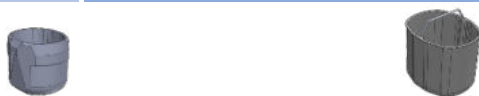
Accessories



Ref.	AFI-RX6-1000-12	AFI-LRX6**	AFI-BO6-1000*	AFI-LI6-1000*	AFI-LIS6-1000*	AFI-6BD1000	AFI-BO6-2000*	AFI-6TBB	AFI-WLI750*
		* Set of 6							* Set of parts from 10 to 40gr
		** Recommended for use above 3800 rpm							

Blood Bag	450 mL	500 mL	550 mL	600 mL	750 mL
Type	Double to Quadruple	Quintuple Quintuple + F	Quadruple Quintuple	Simple Double	Simple
Bags per adapter / rotor	1 6	1 6	1 6	1 6	1 6

Adapter



Hole LWH (mm)	1 Cavity Liner 143x116x143				
Radius	279				
Max charge (gr)	1800				
Ref.	AFI-LI6-1000				

Blood Bags	350-450 mL	450/475 mL +/- 10%	750mL	1L
Type	Simple Double	Quadruple + filter	Simple	Simple
Bags per adapter / rotor	2 12	2 12	2 12	1 6

Hole LWH (mm)	2 Cavities Liner 69x116x143			70 x 130 x 120
Radius	279			270
Max charge (gr)	1800			
Ref.	AFI-LIS6-1000			AFI-6BD1000

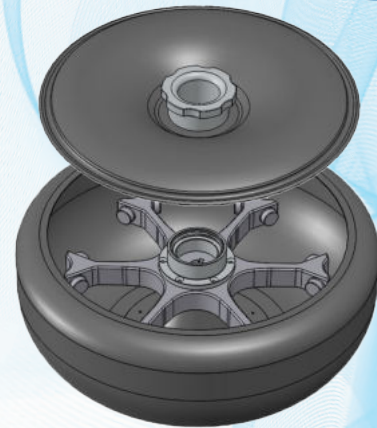
Bottles



Type	Bottles 2L
Bottles per adaptor	1 6
Bucket	
Speed	3600 Rpm
Ref.	AFI-BO6-2000

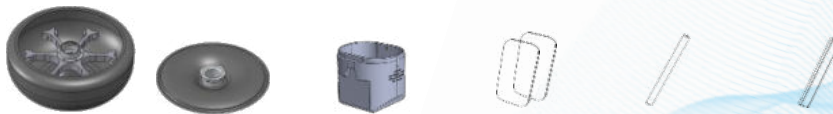
AFI RX6-1000-6

Blood Bags Adapters selection guide



Model	R
Max Capacity	6 x 950ml
Angle	90°
RPM Max	4 900
ACR Max	7 301

Accessories

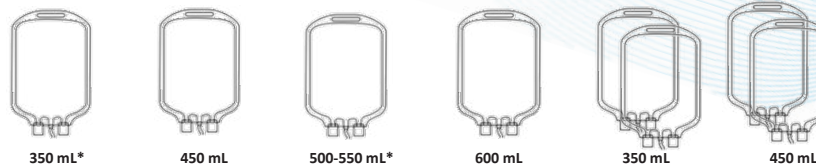


Ref.	AFI-RX6-1000-6	AFI-LRX6*	AFI-BO6-750	AFI-WLI750*	AFI-STICK7	AFI-STICK14
------	----------------	-----------	-------------	-------------	------------	-------------

** Recommended for use above 3800 rpm

* Set of parts from 10 to 40gr

Blood Bags



Type	Double / Triple Quadruple + Filtre	Double / Triple Quadruple + Filtre	Simple Buffy coat run
Bags per adapter / rotor	1 6	1 6	2 12

Adapter



Hole LWH (mm)				
Radius	272	269	269	269
Max Charge (gr)	1500			
Ref.	AFI-LI6-750	AFI-LI6-750-600	AFI-LI6-750-900	

* We recommend the use of a silicone spacer to wedge the pocket

Tubes



Capacity (ml)	1,6-7	2,6-4,9	2,7-5	15	50
Ø x L (mm)	13x75 100	13x81 106	11x82 108	17x120	29x115
Tubes per adapter / rotor		34 204		16 96	7 42



Adapter



Hole Ø x L(mm)		13,5x58		18x80	30x70
Radius	272	252		272	272
Max Charge (gr)	1500				
Ref.		AFI-6TO5		AFI-6TO15C	AFI-6TO50C

DATA SHEET



Spécifications - Specifications			
Modèle - Model		Réfrigéré -Refrigerated	
Centrifugeuse de paillasse <i>Benchtop centrifuge</i>			
Référence - Reference		AFI-C600R-2P-B12	AFI-C600R-2P-B6
Tension nominale - Nominal voltage (+/- 10%)		230V +/-10% Single phase	
Fréquence - Frequency		50 Hz	
Puissance alimentation max. - Power max.		4000 W (1300 W compressor)	
Conformité aux directives Européennes - Compliance with European directives			
2014/35/UE : Directive Basse Tension – Low Voltage Directive		✓	✓
2014/30/UE : Directive CEM - EMC directive		✓	✓
2012/19/CE : Directive DEEE - WEEE directive		✓	✓
2011/65/CE : Directive ROHS - ROHS Directive		✓	✓
IEC / EN61010-1 (2010) : Sécurité - Safety		✓	✓
IEC / EN61010-2-020 (2006) : Sécurité - Safety		✓	✓
EN61326-1(2013) : Compatib. électromagn. - EMC compatibility		✓	✓
EN55011 2009/A1 (2010) Classe A : Perturbations / Emissions		✓	✓
EN ISO 14971 (2012) : Gestion des risques - Risk management		✓	✓
ISO 9001 (2015) : Gestion des risques - Risk management		✓	✓
ISO 13485 (2016) : Gestion des risques - Risk management		✓	✓
Caractéristiques principales (voir brochure) - Main specifications (see brochure for full specification)			
Rotors Swing-out Swing-out rotors 	Capacité max. <i>Max. capacity</i>	6x 2000 mL	6x 950 mL
	RPM max.	4300 rpm	4900 rpm
	ACR max <i>Max. RCF</i>	5767g	7301g
Dimensions & poids - Dimensions & Weight			
Dimensions (HxLxL) - Foot print Dimensions (HxWxD)		95 x 81 x 96 cm	
Dimensions emballage (HxLxL) - Package dimension (HxWxD)		114 x 89 x 109 cm	
Hauteur couvercle ouvert - Opened lid height		181 cm	
Poids net - Weight unpacked		346 Kg	
Poids emballé - Weight packed		352 kg	

Description de la centrifugeuse / Centrifuge description		
Référence - Reference	AFI-C600R-2P-B12	AFI-C600R-2P-B6
Écran LCD 5.7" 5.7" LCD screen		✓
Commandes Commands	Touches et écran tactiles Buttons and touchscreen	
Contrôle par microprocesseur Microprocessor control		✓
Reconnaissance automatique du rotor Automatic rotor recognition		✓
Détection de balourd Imbalance detection	50g en chargement opposés 50g in opposite loading	
Fermeture du couvercle Lid closing		✓
Fonction My IDEM (calcul d'intégral) My IDEM function (Accumulated Centrifugal Effect)		✓
Modes Modes	Au démarrage, au démarrage vitesse/durée At start, At start speed/time	
Durées de cycle Cycle duration	10 s à 99h:59min:59s & Impulsion 10 s to 99h:59min:59 s & Pulse	
Unités de température Temperature units	°C / °F	
Chambre de centrifugation Centrifugation chamber	Inox	
Densité max. Max. density	1.2 g / cm ³	
Moteur à induction sans charbon Brushless induction motor		✓
Vitesse mini / Maxi Mini / Max Speed	300 / 4400 rpm	
Pas de réglage de la vitesse Speed setting step	10 rpm	
Précision de vitesse Speed accuracy	± 0.5%	
Nombre de programmes Programs number	99 + routine + precool + warmup	
Pentes d'accélération & de freinage Acceleration & Braking slopes	10 & 10	
Décélération libre Brakeless mode		✓
Système de réfrigération Cooling system	R452A, Sans CFC R452A, CFC free	
Plage de réglage en température Range of setting temperature	-20°C → +40°C	
Fonction de pré-refroidissement Precool function		✓
Précision en température Temperature accuracy	+/- 1°C	
Dissipation de chaleur maximale Heat dissipation	13 640 BTU/h	
Niveau sonore max. Max. noise	≤ 61 dB(A)	

KATRINA

Centrifuge HIGH PERFORMANCE

The **KATRINA** High Performance has been designed to meet the bioprocessing methods.

KATRINA High Performance is available with a choice of 2 rotors : 6x1L or 4x2L to meet all your needs for high throughput sample processing.

PROVEN QUALITY

The «IDEM» application coupled with PFC (Power Factor Control) technology ensures reproducible cycles, making **KATRINA** an ideal centrifuge for simplified productivity.

INTERACTIVE COMMUNICATION

With its large «Smartphone» touch screen colour display, **KATRINA** ensures interactive communication between you and the machine. Backlit display for better visibility. Programming is greatly facilitated by direct access to all cycle parameters in a single window. Compatible with gloved hands.

SECURITY

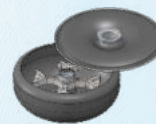
User access as password protection of the protocols ensures increased security and efficiency



Centrifuge	Description
AFI-C600RE-2P-H6	KATRINA Haute Performance centrifuge
AFI-C600RE-2P-H8	KATRINA Haute Performance centrifuge
Specifications	Swing-out rotor
Max Speed	4300 / 4400 rpm
Max RCF	5809 / 5931g
Max Loading	6x1L / 4x2L
T° Range	-20°C/+40°C
Dim. (HxWxD)	95x81x96cm
Pack dim.	114x89x109cm
Weight	352kg

Swinging bucket rotors

Accessories selection guide



KATRINA ACCESSORIES	AFI-RX6-1000-H	AFI-RX6-1000-D	AFI-RX4-2000
KATRINA ACCESSORIES	AFI-BR6-1000	AFI-BXDW6	AFI-BO6D-1000*
Max Capacity (ml)	6x 1L	48 Microplates	6x 1L
Max Charge (gr)	1400	1000	1800
Max Speed (rpm)	4 300	4 300	3 600
Max RCF (g)	5 747	5 519	4 289
Cavity dim (ØxD) or (WxLxD)	Ø102x135	90x132x114	117x144x152
Lid	✓	✓	

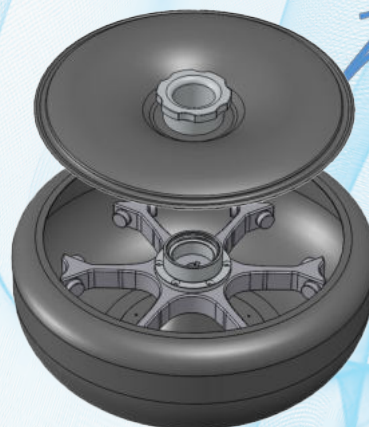
Bottles	ml	Ø x L	AFI-BR6-1000	AFI-BXDW6	AFI-BO6D-1000*	AFI-BR4-2000
	150 FALCON	61x118	6	-	-	4
	200 FALCON	61x138	6	-	-	4
	200 AFI-B-PPCO200C	56x118	6	-	-	4
	200 NUNC/NALGENE	60x130	6	-	-	4
	200 AFI-B-PPCO200F	56x112	6	-	-	4
	250 CORNING	60x163	6	-	6*	4
	250 AFI-B-PPCO250F	62x122	6	-	6*	4
	290 AFI-B-PPCO290F	62x137	6	-	6*	4
	400	81x136 84x134	6	-	6*	4
	500 CORNING	96x148	6	-	6*	4
	500 AFI-B-PPCO500F	98x114	6	-	6*	4
	625 AFI-B-PPCO625F	92x130	6	-	6*	4
	750 AFI-B-PPCO750F	98x152	6	-	6*	4
	750 AFI-B-PPCO750FB	100x130	6	-	6*	4
	950 AFI-B-PPCO950FB	100x154	6	-	6*	4
	1L AFI-B-PPCO1000FB	100x168	6	-	6*	4
	1L AFI-B-PPCO1000F	98x175	6	-	6*	4
	1L NALGENE	94x217 94x197	-	-	6*	4*
	2L AFI-B-PPCO2000F	125x214	-	-	-	4
	Micro Plates		-	48	-	-
	Deep Well		-	12	-	-

*UNSEALED

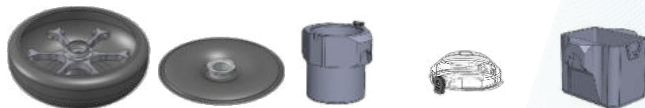
AFI RX6-1000-H

Adapters selection guide

Model	R
Max Capacity	6x 1L
Angle	90°
RPM Max	4 300
ACR Max	5 499



Accessories



Ref.	AFI-RX6-1000-H	AFI-LRX6**	AFI-BR6-1000*	AFI-LR6-1000	AFI-BXDW6*
------	----------------	------------	---------------	--------------	------------

* Set of 6
** Recommended for use above 3800 rpm



Tubes	15	15	30	30	30	50	50	50	50
Capacity (ml)	15	15	30	30	30	50	50	50	50
∅ x L (mm)	17x120	17x120	25x110	25x110	25x95	29x115	29x115	29x115	29x107
Tubes per adapter / rotor	13 78	13 78	7 42	7 42	8 48	5 30	5 30	5 30	7 42

Adapter	18x80	18x80	26x60	26x60	26,5x70	30x70	30x70	30x70	30x70
Hole ∅ x L (mm)	18x80	18x80	26x60	26x60	26,5x70	30x70	30x70	30x70	30x70
Radius	278	278	271	278	276	271	271	278	276
Max Charge (gr)	1400	1400	1400	1400	1400	1400	1400	1400	1400

Ref.	AFI-6T15C-RB	AFI-6T15ST-RB	AFI-6T30S-RB	AFI-6T30C-RB	AFI-6T30AOR-RB	AFI-6T50S-RB	AFI-6T50CS-RB*	AFI-6T50C-RB	AFI-6T50AOR-RB
------	--------------	---------------	--------------	--------------	----------------	--------------	----------------	--------------	----------------

* For protocols < 3500g



Tubes	80	80 / 85	150 200	200	200	200	250	250	290
Capacity (ml)	80	80 / 85	150 200	200	200	200	250	250	290
∅ x L (mm)	38x105	38x106	61x118 138	56x118	60x130	56x112	60x163	62x122	62x137
Tubes per adapter / rotor	3 18	3 18	1 6	1 6	1 6	1 6	1 6	1 6	1 6

Adapter	40x78	62x80	58x80	62x80	58x80	62x103	64x80
Hole ∅ x L (mm)	40x78	62x80	58x80	62x80	58x80	62x103	64x80
Radius	276	278	278	278	276	278	276
Max Charge (gr)	1400	1400	1400	1400	1400	1400	1400

Ref.	AFI-6T80AOR-RB	AFI-6T200CF-RB	AFI-6T200C-RB	AFI-6T200CN-RB	AFI-6T200F-RB	AFI-6T250C-RB	AFI-6T290F-RB
------	----------------	----------------	---------------	----------------	---------------	---------------	---------------



Tubes	400	500	500	625	750	750	950	1L	1L
Capacity (ml)	400	500	500	625	750	750	950	1L	1L
∅ x L (mm)	81x136 - 84x134	96x148	98x114	92x130	98x152	100x130	100x154	100x168	98x175
Tubes per adapter / rotor	1 6	1 6	1 6	1 6	1 6	1 6	1 6	1 6	1 6

Adapter	85x100	97x103	102x130	94x85	102x130
Hole ∅ x L (mm)	85x100	97x103	102x130	94x85	102x130
Radius	278	278	278	270	278
Max Charge (gr)	1400	1400	1400	1400	1400

Ref.	AFI-6T400F-RB	AFI-6T500C	-	AFI-6T625F-RB	-	-	-	-	-
------	---------------	------------	---	---------------	---	---	---	---	---

* unsealed

Model	R
Max Capacity	6x 1L
Angle	90°
RPM Max	4 300
ACR Max	0

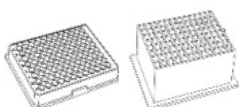
Accessories



Ref.	AFI-RX6-1000-H	AFI-LRX6	AFI-BR6-1000*	AFI-LR6-1000	AFI-BXDW6*
------	----------------	----------	---------------	--------------	------------

* Set of 6

** Recommended for use above 3800 rpm



MicroPlates

Capacity (ml)		
∅ x L (mm)		
Tubes per adapter / rotor	8 48	2 12

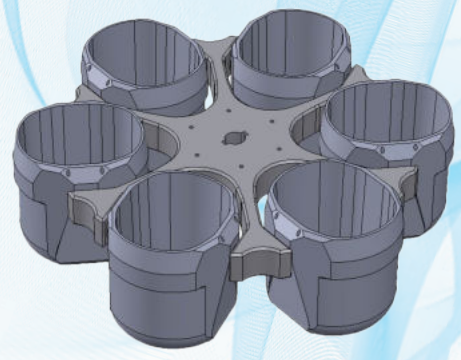
Adapter



Hole ∅ x L (mm)		
Radius	266	267
Max Charge (gr)	1000	
Ref.	AFI-BXDW6	

AFI RX6-1000-D

Adapters selection guide



Model	R
Max Capacity	6x 1L
Angle	90°
RPM Max	3 600
ACR Max	4 289

Accessories



Ref.	AFI-RX6-1000-D	AFI-BO6D-1000*
------	----------------	----------------

* Set of 6

Tubes



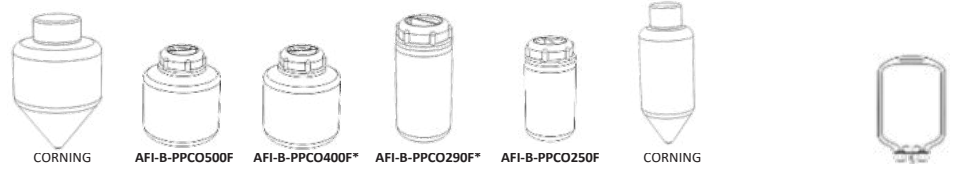
Capacity (ml)	1L	1L	950	1L	1L	750	750	625
∅ x L (mm)	100x168	98x175	100x154	94x197	94x217	98x152	100x130	92x130
Tubes per adapter / rotor	1 6			1 6		1 6		1 6

Adapter



Hole ∅ x L (mm)	102x100			95x140		102x100		94x85
Radius	286			296		286		291
Max Charge (gr)	1750							
Ref.	AFI-6T1000F			AFI-6T1000FN-OD		AFI-6T1000F		AFI-6T625F

Tubes



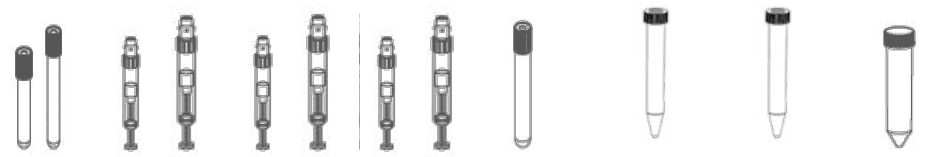
Capacity (ml)	500	500	400	290	250	250	1L
∅ x L (mm)	96x148	98x114	81x136 - 84x134	62x137	62x122	60x163	
Tubes per adapter / rotor	1 6	1 6	1 6	1 6		1 6	1 6

Adapter



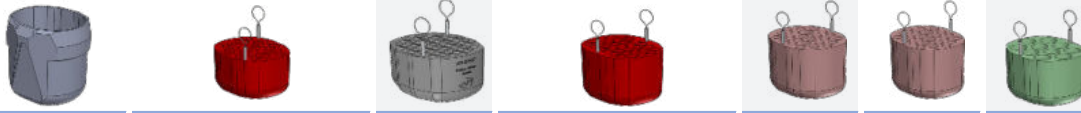
Hole ∅ x L (mm)	97x103	102x100	85x100	64x80		62x103	70 x 130 x 120
Radius	296	295	286	291		295	274
Max Charge (gr)	1750						
Ref.	AFI-6T500C	AFI-6T1000F	AFI-6T400F	AFI-6T290F		AFI-6T250C	AFI-6BD1000

Tubes



Capacity (ml)	1,6-7	2,6-4,9	2,7-5	4-8,5	7-10	15	15	50
∅ x L (mm)	13x75 100	13x81 106	11x82 108	15x91 108	16x100	17x120	17x120	29x115
Tubes per adapter / rotor	46 276		66 396	33 198		24 144		10 60

Adapter



Hole ∅ x L (mm)	13,5x58		12,5x55	17x58		18x80	18x80	30x70
Radius	281		261	281		290	290	294
Max Charge (gr)	1750							
Ref.	AFI-6T5*		AFI-6T5ST*	AFI-6T10		AFI-6T15C	AFI-6T15ST	AFI-6T50C

* For tube length > 80mm and ACR > 3000g, we preconise using adapter AFI-6T6 or 6T5ST

AFI RX4-2000

Adapters selection guide



Model	R	
Max Capacity	4x 2L	Load > 2,1 kg
Angle	90°	90°
RPM Max	4 400	4 250
ACR Max	5 931	5 533

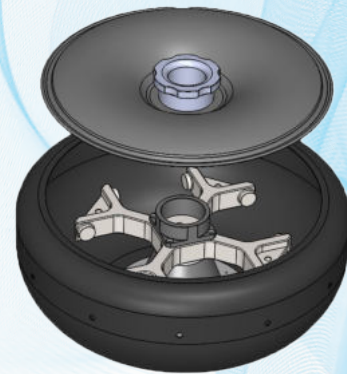
Accessories



Ref.	AFI-RX4-2000	AFI-LRX6**	AFI-BR4-2000*	AFI-L4-2000*
------	--------------	------------	---------------	--------------

* Set of 4

** Recommended for use above 3800 rpm



Tubes

	30	50	50	50	50	FALCON 150 200	AFI-B-PPCO200C 200	NUNC / NALGENE 200
Capacity (ml)	30	50	50	50	50	150 200	200	200
Ø x L (mm)	25x110	29x115	29x115	29x115	29x107	61x118 138	56x118	60x130
Tubes per adapter / rotor	9 36	9 36	9 36	9 36	9 36	1 4	1 4	1 4

Adapter



Hole Ø x L (mm)	26x60	30x70	30x70	30x70	30x70	62x80	58x80	62x80
Radius	274	267	268	268	268	262	262	262
Max Charge (gr)	2400							

Ref.	AFI-8T30S	AFI-8T50S	AFI-8T50CS*	AFI-8T50C	AFI-8T50AOR	AFI-8T200CF	AFI-8T200C	AFI-8T200CN
------	-----------	-----------	-------------	-----------	-------------	-------------	------------	-------------

* For protocols < 3500g

Tubes

	AFI-B-PPCO200F 200	CORNING 250	AFI-B-PPCO250F 250	AFI-B-PPCO290F* 290	AFI-B-PPCO400F* 400	CORNING 500	AFI-B-PPCO500F 500	AFI-B-PPCO625F 625
Capacity (ml)	200	250	250	290	400	500	500	625
Ø x L (mm)	56x112	60x163	62x122	62x137	81x136 - 84x134	96x148	98x114	92x130
Tubes per adapter / rotor	1 4	1 4	1 4		1 4	1 4	1 4	1 4

Adapter



Hole Ø x L (mm)	58x80	62x103	64x80		85x100	97x103	102x130	94x85
Radius	274	262	267		272	272	274	270
Max Charge (gr)	2400							

Ref.	AFI-8T200F	AFI-8T250C	AFI-8T290F		AFI-8T400F	AFI-8T500C	AFI-8T1000F	AFI-8T625F
------	------------	------------	------------	--	------------	------------	-------------	------------

Tubes

	AFI-B-PPCO750F 750	AFI-B-PPCO750FB 750	AFI-B-PPCO950FB 950	AFI-B-PPCO1000FB 1L	AFI-B-PPCO1000F 1L	NALGENE 1L	AFI-B-PPCO1600F 1,6L	AFI-B-PPCO2000F 2L
Capacity (ml)	750	750	950	1L	1L	1L	1,6L	2L
Ø x L (mm)	98x152	100x130	100x154	100x168	98x175	94x197 (217*)	112x211	125x214
Tubes per adapter / rotor	1 4			1 4		1 4	1 4	1 4

Adapter





Hole Ø x L (mm)	102x130			96x140		115x130		127x140
Radius	274			274		274		274
Max Charge (gr)								

Ref.	AFI-8T1000F			AFI-8T1000FN		AFI-8T1600F		-
------	-------------	--	--	--------------	--	-------------	--	---

* for NALGENE 1L Ø91x217 : without lid



Spécifications - Specifications			
Modèle - Model		Réfrigéré - Refrigerated	
Centrifugeuse de paillasse <i>Benchtop centrifuge</i>			
Référence - Reference		AFI-C600R-2P-H6	AFI-C600R-2P-H8
Tension nominale - Nominal voltage (+/- 10%)		230V +/-10% Single phase	
Fréquence - Frequency		50 Hz	
Puissance alimentation max. - Power max.		4000 W (1300 W compressor)	
Conformité aux directives Européennes - Compliance with European directives			
2014/35/UE : Directive Basse Tension – Low Voltage Directive		✓	✓
2014/30/UE : Directive CEM - EMC directive		✓	✓
2012/19/CE : Directive DEEE - WEEE directive		✓	✓
2011/65/CE : Directive ROHS - ROHS Directive		✓	✓
IEC / EN61010-1 (2010) : Sécurité - Safety		✓	✓
IEC / EN61010-2-020 (2006) : Sécurité - Safety		✓	✓
EN61326-1(2013) : Compatib. électromagn. - EMC compatibility		✓	✓
EN55011 2009/A1 (2010) Classe A : Perturbations / Emissions		✓	✓
EN ISO 14971 (2012) : Gestion des risques - Risk management		✓	✓
ISO 9001 (2015) : Gestion des risques - Risk management		✓	✓
ISO 13485 (2016) : Gestion des risques - Risk management		✓	✓
Caractéristiques principales (voir brochure) - Main specifications (see brochure for full specification)			
Rotors Swing-out Swing-out rotors 	Capacité max. <i>Max. capacity</i>	6x 1L	4x 2L
	RPM max.	4300 rpm	4400 rpm
	ACR max <i>Max. RCF</i>	5809g	5931g
Dimensions & poids - Dimensions & Weight			
Dimensions (HxLxL) - Foot print Dimensions (HxWxD)		95 x 81 x 96 cm	
Dimensions emballage (HxLxL) - Package dimension (HxWxD)		114 x 89 x 109 cm	
Hauteur couvercle ouvert - Opened lid height		181 cm	
Poids net - Weight unpacked		346 Kg	
Poids emballé - Weight packed		352 kg	

Description de la centrifugeuse / Centrifuge description		
Référence - Reference	AFI-C600R-2P-H6	AFI-C600R-2P-H8
Ecran LCD 5.7" 5.7" LCD screen		✓
Commandes Commands	Touches et écran tactiles Buttons and touchscreen	
Contrôle par microprocesseur Microprocessor control		✓
Reconnaissance automatique du rotor Automatic rotor recognition		✓
Détection de balourd Imbalance detection	50 g en chargement opposés 50g in opposite loading	
Fermeture du couvercle Lid closing		✓
Fonction My IDEM (calcul d'intégral) My IDEM function (Accumulated Centrifugal Effect)		✓
Modes Modes	Au démarrage, au démarrage vitesse/durée At start, At start speed/time	
Durées de cycle Cycle duration	10 s à 99h:59min:59s & Impulsion 10 s to 99h:59min:59 s & Pulse	
Unités de température Temperature units	°C / °F	
Chambre de centrifugation Centrifugation chamber	Inox	
Densité max. Max. density	1.2 g / cm ³	
Moteur à induction sans charbon Brushless induction motor		✓
Vitesse mini / Maxi Mini / Max Speed	300 / 4400 rpm	
Pas de réglage de la vitesse Speed setting step	10 rpm	
Précision de vitesse Speed accuracy	± 0.5%	
Nombre de programmes Programs number	99 + routine + precool + warmup	
Pentes d'accélération & de freinage Acceleration & Braking slopes	10 & 10	
Décélération libre Brakeless mode		✓
Système de réfrigération Cooling system	R452A, Sans CFC R452A, CFC free	
Plage de réglage en température Range of setting temperature	-20°C → +40°C	
Fonction de pré-refroidissement Precool function		✓
Précision en température Temperature accuracy	+/- 1°C	
Dissipation de chaleur maximale Heat dissipation	13 640 BTU/h	
Niveau sonore max. Max. noise	≤ 61 dB(A)	

KATRINA

Centrifuge AUTOMATION

The centrifuge **KATRINA** Automation have been designed to meet the automation systems used in laboratories. **KATRINA** Automation is compatible with a wide range of racks that can be centrifuged directly in dedicated buckets. An undeniable time saving in the analysis.

PROVEN QUALITY

The «IDEM» application coupled with PFC (Power Factor Control) technology ensures reproducible cycles, making **KATRINA** an ideal centrifuge for simplified productivity.

INTERACTIVE COMMUNICATION

With its large «Smartphone» touch screen colour display, **KATRINA** ensures interactive communication between you and the machine. Backlit display for better visibility. Programming is greatly facilitated by direct access to all cycle parameters in a single window. Compatible with gloved hands.

SECURITY

User access as password protection of the protocols ensures increased security and efficiency.



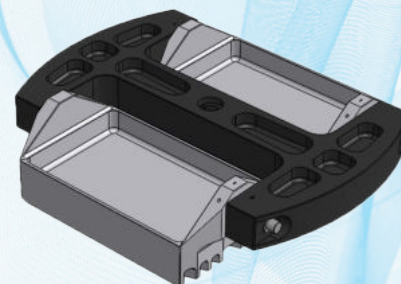
Centrifuge	Description
AFI-C600RE-2P-AUTO	KATRINA Automation
Specifications	Swing-out rotor
Max Speed	3300 rpm
Max RCF	2313g
Max Loading	3,8kg
T° Range	-20°C/+40°C
Dim. (HxWxD)	95x81x96cm
Pack dim.	114x89x109cm
Weight	352kg

RHD6-RACK

Accessories selection guide

AFI-RHD6-RACK

Adapters selection guide



Model	R
Max Capacity	32 Microplates
Angle	90°
RPM Max	3 300
ACR Max	2 313

Accessories



Ref.	AFI-RHD6	AFI-BHD6*
------	----------	-----------

Tubes





	SARSTEDT D17	ABBOTT	ABBOTT	ABBOTT	STAGO	ROCHE
Capacity (ml)	-	-	-	-	-	-
∅ x L (mm)	-	-	-	-	-	-
Rack per adapter / rotor	-	-	-	-	-	-

Adapter



	176x282	-	-	-	-	-
Hole wxl(mm)	176x282	-	-	-	-	-
Radius	190	-	-	-	-	-
Max Charge (gr)	3800	-	-	-	-	-
Ref.	ON REQUEST	ON REQUEST	ON REQUEST	ON REQUEST	ON REQUEST	ON REQUEST



Spécifications - Specifications		
Modèle - Model	Réfrigéré - Refrigerated	
Centrifugeuse de paillasse <i>Benchtop centrifuge</i>		
Référence - Reference	AFI-C600R-2P-AUTO	
Tension nominale - Nominal voltage (+/- 10%)	230V +/-10% Single phase	
Fréquence - Frequency	50 Hz	
Puissance alimentation max. - Power max.	4000 W (1300 W compressor)	
Conformité aux directives Européennes - Compliance with European directives		
2014/35/UE : Directive Basse Tension – Low Voltage Directive	✓	
2014/30/UE : Directive CEM - EMC directive	✓	
2012/19/CE : Directive DEEE - WEEE directive	✓	
2011/65/CE : Directive ROHS - ROHS Directive	✓	
IEC / EN61010-1 (2010) : Sécurité - Safety	✓	
IEC / EN61010-2-020 (2006) : Sécurité - Safety	✓	
EN61326-1(2013) : Compatib. électromagn. - EMC compatibility	✓	
EN55011 2009/A1 (2010) Classe A : Perturbations / Emissions	✓	
EN ISO 14971 (2012) : Gestion des risques - Risk management	✓	
ISO 9001 (2015) : Gestion des risques - Risk management	✓	
ISO 13485 (2016) : Gestion des risques - Risk management	✓	
Caractéristiques principales (voir brochure) - Main specifications (see brochure for full specification)		
Rotors Swing-out Swing-out rotors 	Capacité max. <i>Max. capacity</i>	2x 3.8kg
	RPM max.	2650 rpm
	ACR max <i>Max. RCF</i>	2151g
Dimensions & poids - Dimensions & Weight		
Dimensions (HxLxL) - Foot print Dimensions (HxWxD)	95 x 81 x 96 cm	
Dimensions emballage (HxLxL) - Package dimension (HxWxD)	114 x 89 x 109 cm	
Hauteur couvercle ouvert - Opened lid height	181 cm	
Poids net - Weight unpacked	346 Kg	
Poids emballé - Weight packed	352 kg	

Description de la centrifugeuse / Centrifuge description	
Référence - Reference	AFI-C600R-2P-AUTO
Ecran LCD 5.7" 5.7" LCD screen	✓
Commandes Commands	Touches et écran tactiles Buttons and touchscreen
Contrôle par microprocesseur Microprocessor control	✓
Reconnaissance automatique du rotor Automatic rotor recognition	✓
Détection de balourd Imbalance detection	50g en chargement opposés 50g in opposite loading
Fermeture du couvercle Lid closing	✓
Fonction My IDEM (calcul d'intégral) My IDEM function (Accumulated Centrifugal Effect)	✓
Modes Modes	Au démarrage, au démarrage vitesse/durée At start, At start speed/time
Durées de cycle Cycle duration	10 s à 99h:59min:59s & Impulsion 10 s to 99h:59min:59 s & Pulse
Unités de température Temperature units	°C / °F
Chambre de centrifugation Centrifugation chamber	Inox
Densité max. Max. density	1.2 g / cm ³
Moteur à induction sans charbon Brushless induction motor	✓
Vitesse mini / Maxi Mini / Max Speed	300 / 4400 rpm
Pas de réglage de la vitesse Speed setting step	10 rpm
Précision de vitesse Speed accuracy	± 0.5%
Nombre de programmes Programs number	99 + routine + precool + warmup
Pentes d'accélération & de freinage Acceleration & Braking slopes	10 & 10
Décélération libre Brakeless mode	✓
Système de réfrigération Cooling system	R452A, Sans CFC R452A, CFC free
Plage de réglage en température Range of setting temperature	-20°C → +40°C
Fonction de pré-refroidissement Precool function	✓
Précision en température Temperature accuracy	+/- 1°C
Dissipation de chaleur maximale Heat dissipation	13 640 BTU/h
Niveau sonore max. Max. noise	≤ 61 dB(A)

KATRINA

Centrifugeuse VETERINARY

The **KATRINA** Veterinary centrifuge has been designed to meet the intense analysis periods of veterinary laboratories.

Its dedicated accessory and its automatic tube uncapping system during centrifugation offer an undeniable time saving to laboratories during the prophylaxis period for example.

192 tubes can be centrifuged and uncorked at the same time.

PROVEN QUALITY

The «IDEM» application coupled with PFC (Power Factor Control) technology ensures reproducible cycles, making **KATRINA** an ideal centrifuge for simplified productivity.

INTERACTIVE COMMUNICATION

With its large «Smartphone» touch screen colour display, **KATRINA** ensures interactive communication between you and the machine. Backlit display for better visibility. Programming is greatly facilitated by direct access to all cycle parameters in a single window. Compatible with gloved hands.

SECURITY

User access as password protection of the protocols ensures increased security and efficiency.

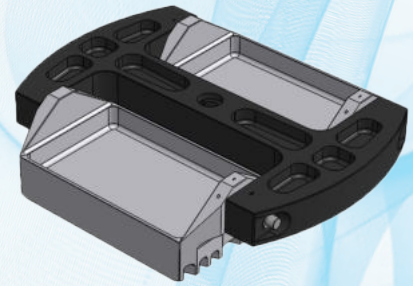


Centrifuge	Description
AFI-C600RE-2P-V	KATRINA Veterinary centrifuge
Specifications	Swing-out rotor
Max Speed	3300 rpm
Max RCF	2252g
Max Loading	192 tubes
T° Range	-20°C/+40°C
Dim. (HxWxD)	95x81x96cm
Pack dim.	114x89x109cm
Weight	352kg



ANIMAL PROPHYLAXIS : 192 tubes automatically uncapped

Model	R
Max Capacity	192 tubes
Angle	90°
RPM Max	3 300
ACR Max	2 252



Accessories

Ref.	AFI-RHD6	AFI-BHD6*	AFI-6TD5	AFI-6TD10	AFI-STICK7	AFI-STICK14

* Set of 2

Tubes

		OUTSIDE CAP	INSIDE CAP
Capacity (ml)	1,6-5		
Ø x L (mm)	13x75		
Tubes per adapter / rotor	96 192		

Adapter

Hole Ø x L (mm)					
Radius	185				
Max Charge (gr)	#REF!				
Ref.	AFI-HLD-6TD5	AFI-6TD5	AFI-6T5-O	AFI-6TD5-E1*	AFI-6TD5-E2*

* Set of 3



Tubes

		OUTSIDE CAP
Capacity (ml)	10	
Ø x L (mm)	16x100	
Tubes per adapter / rotor	96 192	

Adapter

Hole Ø x L (mm)				
Radius	185			
Max Charge (gr)	#REF!			
Ref.	AFI-HLD-6TD10	AFI-6TD10	AFI-6T10-O	AFI-6TD10-E



Spécifications - Specifications		
Modèle - Model	Réfrigéré - Refrigerated	
Centrifugeuse de paillasse Benchtop centrifuge		
Référence - Reference	AFI-C600R-2P-V	
Tension nominale - Nominal voltage (+/- 10%)	230V +/-10% Single phase	
Fréquence - Frequency	50 Hz	
Puissance alimentation max. - Power max.	4000 W (1300 W compressor)	
Conformité aux directives Européennes - Compliance with European directives		
2014/35/UE : Directive Basse Tension – Low Voltage Directive	✓	
2014/30/UE : Directive CEM - EMC directive	✓	
2012/19/CE : Directive DEEE - WEEE directive	✓	
2011/65/CE : Directive ROHS - ROHS Directive	✓	
IEC / EN61010-1 (2010) : Sécurité - Safety	✓	
IEC / EN61010-2-020 (2006) : Sécurité - Safety	✓	
EN61326-1(2013) : Compatib. électromagn. - EMC compatibility	✓	
EN55011 2009/A1 (2010) Classe A : Perturbations / Emissions	✓	
EN ISO 14971 (2012) : Gestion des risques - Risk management	✓	
ISO 9001 (2015) : Gestion des risques - Risk management	✓	
ISO 13485 (2016) : Gestion des risques - Risk management	✓	
Caractéristiques principales (voir brochure) - Main specifications (see brochure for full specification)		
H Rotors Swing-out Swing-out rotors 	Capacité max. Max. capacity	192 tubes
	RPM max.	3300 rpm
	ACR max Max. RCF	2252g
Rotor AFI-RHD6 Bucket AFI-BHD6		
Dimensions & poids - Dimensions & Weight		
Dimensions (HxLxL) - Foot print Dimensions (HxWxD)	95 x 81 x 96 cm	
Dimensions emballage (HxLxL) - Package dimension (HxWxD)	114 x 89 x 109 cm	
Hauteur couvercle ouvert - Opened lid height	181 cm	
Poids net - Weight unpacked	346 Kg	
Poids emballé - Weight packed	352 kg	

Description de la centrifugeuse / Centrifuge description	
Référence - Reference	AFI-C600R-2P-V
Ecran LCD 5.7" 5.7" LCD screen	✓
Commandes Commands	Touches et écran tactiles Buttons and touchscreen
Contrôle par microprocesseur Microprocessor control	✓
Reconnaissance automatique du rotor Automatic rotor recognition	✓
Détection de balourd Imbalance detection	50g en chargement opposés 50g in opposite loading
Fermeture du couvercle Lid closing	✓
Fonction My IDEM (calcul d'intégral) My IDEM function (Accumulated Centrifugal Effect)	✓
Modes Modes	Au démarrage, au démarrage vitesse/durée At start, At start speed/time
Durées de cycle Cycle duration	10 s à 99h:59min:59s & Impulsion 10 s to 99h:59min:59 s & Pulse
Unités de température Temperature units	°C / °F
Chambre de centrifugation Centrifugation chamber	Inox
Densité max. Max. density	1.2 g / cm ³
Moteur à induction sans charbon Brushless induction motor	✓
Vitesse mini / Maxi Mini / Max Speed	300 / 4400 rpm
Pas de réglage de la vitesse Speed setting step	10 rpm
Précision de vitesse Speed accuracy	± 0.5%
Nombre de programmes Programs number	99 + routine + precool + warmup
Pentes d'accélération & de freinage Acceleration & Braking slopes	10 & 10
Décélération libre Brakeless mode	✓
Système de réfrigération Cooling system	R452A, Sans CFC R452A, CFC free
Plage de réglage en température Range of setting temperature	-20°C → +40°C
Fonction de pré-refroidissement Precool function	✓
Précision en température Temperature accuracy	+/- 1°C
Dissipation de chaleur maximale Heat dissipation	13 640 BTU/h
Niveau sonore max. Max. noise	≤ 61 dB(A)

AUTOKLAVEN | SICHERHEITSWERKBÄNKE | CO₂-INKUBATOREN | ZENTRIFUGEN
ULTRATIEFKÜHLSCHRÄNKE | REINSTWASSERSYSTEME | TIERKÄFIGWECHSELSTATIONEN
ABWASSERSTERILISATION | SPÜLMASCHINEN | SERVICE, WARTUNG, VALIDIERUNG



ibs | tecnomara

Innovative Systeme für die Biotechnologie

Ruhberg 4 | 35463 Fernwald

Telefon: +49 64 04 80 9 - 0

Telefax: +49 64 04 80 9 - 251

info@tecnomara.de

www.tecnomara.de