

AFI presents
THE GENERATION

LISA

MULTILAB CENTRIFUGES 2,5L

From Experience comes Excellence



2023



LIA

Rotor 24 micro tubes
15 000 Rpm/ 21 380 x g
Ventilated & Refrigerated
8 rotors

LINA

Rotor 48 micro tubes
Rotor 6x 50mL
Rotor 6 Micro plates
23 000 Rpm/ 39 625x g
Ventilated & Refrigerated
11 rotors

SIRENA

24-36 tubes 5/7 mL
6x 100mL
18 000 Rpm/ 31514 x g
Refrigerated
Interactive display
Touch screen, 99 programs,
17 rotors

ISA

40 tubes 5/7 mL
6700 Rpm/ 6324 xg
Ventilated & Refrigerated
Touch Screen, 99 programs,
11 rotors

Micro
Research centers / Veterinaire



Performance
Research centers/ Universities

Compact
Small laboratories

High Capacity
Blood bank / Industry



Groups

Routine
Hospitals / Medical analysis Laboratories

KATRINA

12 Liters
4900 Rpm/ 7301 x g
Refrigerated Floor
Interactive communication, Touch screen,
Integral, 6 Rotors

LOREENA

108- 200 tubes 5/7 mL / 12x 50 mL
16000 Rpm/ 28 335x g
Ventilated & Refrigerated & Floor
Interactive communication,
Click Spin, Touch Screen,
15 Rotors

LISA

60-92 tubes 5-7 mL/ 8x100mL
18 000 Rpm/ 31514 x g
Ventilated & Refrigerated
Interactive Communication, Click Spin, Touch
Screen, 18 Rotors

Multilab Centrifuge ROUTINE-LINE

PRETTY

What did you expect ?
Product of French design with their AFI style. You won't be able to not recognize them Pretty make the difference.

SOUND OF SILENCE

You too will be amazed by this ultra-quiet centrifuge. Let yourself be surprised!

COMPACTNESS

Very compact (96 tubes 5-7 mL) The monobloc design makes centrifuges very compact and will help you save space in your laboratory. Optimum compactness.

NEVER ALONE AGAIN

With its green check and a beep, LISA indicates that the program has been correctly executed, otherwise a red cross indicates an error, such as a cycle interruption. With its large touch screen and icons, LISA will help you to get started with the machine. A real pleasure of simplicity.



Centrifuge Description

AFI-C200V-E	LISA Multifonction centrifuge Ventilated
AFI-C200R-E	LISA Multifonction centrifuge Refrigerated
AFI-C200RH-E	LISA Multifonction centrifuge Heated

Specifications	Swing-out rotor	Angular Rotor
Max Speed	5100rpm	18000rpm
Max RCF	5816g	31514g
Max Loading	4x625ml	8x100ml
T° Range	-20°C/+40°C	
Dim. (HxWxD)	32x68x63cm	
Pack dim.	54x74x55cm	
Weight	110kg	



Our best seller centrifuge since 2017



CLICK SPIN

The Best flexibility system to change accessories without tool

INTERNATIONAL AUTOMATIC ELECTRICAL CORRECTION



International automatic correction of the electrical network. Guarantees stability of the machine's performance.

Its major assets

6 reasons

to choose it

INTERACTIVE DISPLAY



With its large touch screen and icons, LISA will help you to get started with the machine.

A real pleasure of simplicity.

You too will be amazed by this ultra-quiet centrifuge. Let yourself be surprised!



ULTRA SILENT CENTRIFUGE

Centrifuge's electronic functions integrated into a front central unit. Plug & play system guaranteeing a fast and efficient intervention

THE BLUE BOX



You can set up your own programs, name it, lock it, choose slope rate, set up your own user preferences.

CUSTOMIZABLE PROGRAM



Swinging bucket rotors

Accessories selection guide



LISA ACCESSORIES	AFI-RX290	AFI-RX400	AFI-RX625			AFI-RHDW
------------------	-----------	-----------	-----------	--	--	----------



LISA ACCESSORIES	AFI-B290	AFI-B400	AFI-B625	AFI-DB500C	AFI-BXDW	AFI-BHDW
Max Capacity (ml)	4x290	4x400	4x625	4x500	8 Microplates	10 Microplates
Max Charge (gr)	380	560	750	700	725	725
Max Speed (rpm)	5 100	5 100	5 100	5 100	5 100	5 100
Max RCF (g)	5 234	5 234	5 351	5 816	4 420	4 536
Cavity dim (ØxD) or (WxLxD)	Ø64,5x99	Ø76,5x96	Ø94x85	Ø97x100	93x131x19	91x132x59
Lid	✓	✓	✓	✓	✓	✓
LOREENA Compatible*	✓	✓	✓	✓	✓	✓
Acc Dec (s)	41 45	41 45	72 67			68 66

* Compatible with the maximum speed written above the rotor.

Tubes	ml	Ø x L	AFI-B290	AFI-B400	AFI-B625	AFI-DB500C	AFI-BXDW	AFI-BHDW
	1,1-1,4	8x82	64	82	92	-	-	-
	1,5-2	11x38	72	120	184	-	-	-
	1,5-2	12,5x40	60	60	92	-	-	-
	1,3	10x45	76	88	120	-	-	-
	1,6-7	13x75-100	36	60	92	64	-	-
	2,6-4,9	13x81-106	36	60	92	64	-	-
	1,2-5	11x82-108	36	60	92	64	-	-
	4-8,5	15x91-108	36	48	72	32	-	-
	7-10	16x100	36	48	72	32	-	-
	10	21x90	20	28	44	-	-	-
	15	17x120	24	28	44	20	-	-
	30	25x110	8	16	20	-	-	-
	30	25x110	8	16	20	-	-	-
	30	25x95	8	20	28	-	-	-
	50	29x115	8	12 16*	16 20*	-	-	-
	50	29x115	8	12 16*	16 20*	12	-	-
	50	29x107	8	12	20	-	-	-

* Unsealed



LISA ACCESSORIES	AFI-RX290	AFI-RX400	AFI-RX625			AFI-RHDW
------------------	-----------	-----------	-----------	--	--	----------



LISA ACCESSORIES	AFI-B290	AFI-B400	AFI-B625	AFI-DB500C	AFI-BXDW	AFI-BHDW
Max Capacity (ml)	4x290	4x400	4x625	4x500	8 Microplates	10 Microplates
Max Charge (gr)	380	560	750	700	725	725
Max Speed (rpm)	5 100	5 100	5 100	5 100	5 100	5 100
Max RCF (g)	5 234	5 234	5 351	5 816	4 420	4 536
Cavity dim (ØxD) or (WxLxD)	Ø64,5x99	Ø76,5x96	Ø94x85	Ø97x100	93x131x19	91x132x59
Lid	✓	✓	✓	✓	✓	✓
LOREENA Compatible*	✓	✓	✓	✓	✓	✓
Acc Dec (s)	41 45	41 45	72 67			68 66

* Compatible with the maximum speed written above the rotor.

Bottles	ml	Ø x L	AFI-RX290	AFI-RX400	AFI-RX625	AFI-DB500C	AFI-BXDW	AFI-BHDW
	80 OAK	38x106	4	4	12	-	-	-
	85 OAK	38x106	-	-	-	-	-	-
	100	45x100	4	4	4	-	-	-
	150 FALCON	61x118	4	4	4	-	-	-
	200 FALCON	61x138	4	4	4	-	-	-
	200 AFI-B-PPCO200C	56x118	4	4	4	-	-	-
	200 NUNC/NALGENE	60x130	4	4	4	-	-	-
	200 AFI-B-PPCO200F	56x112	4	4	4	-	-	-
	250 CORNING	60x163	-	-	-	4*	-	-
	250 AFI-B-PPCO250F	62x122	4	4	4	-	-	-
	290 AFI-B-PPCO290F	62x137	4*	4*	4	-	-	-
	500 CORNING	96x148	-	-	-	4	-	-
	625 AFI-B-PPCO625F	92x130	-	-	4	-	-	-
	750 AFI-B-PPCO750FB	100x130	-	-	-	-	-	-

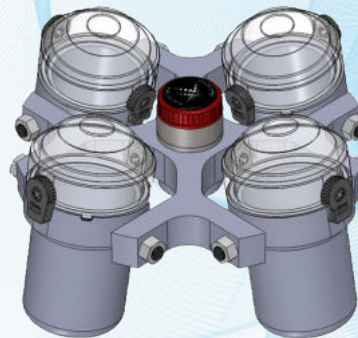
	Micro Plates		-	-	-	-	16*	10
	Deep Well		-	-	-	-	4*	2

AFI-RX290

Adapters selection guide



Model	V*	R
Max Capacity	4 x 290ml	
Angle	90°	
RPM Max	4 500	5 100
ACR Max	4 075	5 234



Accessories



Ref.	AFI-RX290	AFI-B290	AFI-L290*
------	-----------	----------	-----------

*Bucket lids are highly recommended with ventilated model for optimum performance

Tubes

Capacity (ml)	1,1-1,4	1,5-2	1,5-2	1,3	1,6-7	2,6-4,9	1,2-5	4-8,5	7-10	10 CPT
∅ x L (mm)	8x82	11x38	12,5x40	10x45	13x75 100	13x81 106	11x82 108	15x91 108	16x100	16x125
Tubes per adapter / rotor	16 64	18 72	15 60	19 76	9 36		15 60	9 36		1 4

Adapter	AFI-09T1	AFI-09T2	AFI-09T2CRYO	AFI-09T1.3	AFI-09T5*	AFI-06T5T*	AFI-09T10
Hole ∅ x L (mm)	9x50	11,25x40	13x30	11x40	13,5x58	12,5x55	17x58
Radius	180	178	120 175	118	175	170	175
Max Charge (gr)	380						

* For tube length > 80mm and ACR > 3000g, we preconise using adapter AFI-09T6 or AFI-09T6ST

Tubes

Capacity (ml)	10	15	15	30	30	50	50	50	50	80 / 85
∅ x L (mm)	21x90	17x120	17x120	25x110	25x110	29x115	29x115	29x115	29x107	38x106
Tubes per adapter / rotor	5 20	6 24	7 28	2 8	2 8	2 8	2 8	2 8	2 8	1 4

Adapter	AFI-09T10C	AFI-09T15C	AFI-09T15ST	AFI-09T30S	AFI-09T30C	AFI-09T50SL	AFI-09T50CSL*	AFI-09T50CL	AFI-09T50AOR	AFI-09T80AOR
Hole ∅ x L (mm)	22x80	18x80	18x80	26x60	26x60	30x70	30x70	30x70	30x70	40x78
Radius	180	178	180	175	180	170	170	180	178	178
Max Charge (gr)	380									

* For protocols < 3500g

Tubes

Capacity (ml)	100	150	200	200	200	200	250	290
∅ x L (mm)	44x100	61x118	61x138	56x118	60x130	56x112	62x122	62x137
Tubes per adapter / rotor	1 4	1 4		1 4	1 4	1 4	1 4	

Adapter	AFI-09T100R	AFI-09T200CF	AFI-09T200C	AFI-09T200CN	AFI-09T200F	-
Hole ∅ x L (mm)	46x80	62x80	58x80	62x80	58x80	64x80
Radius	180	179	179	179	179	180
Max Charge (gr)	380					

* unsealed

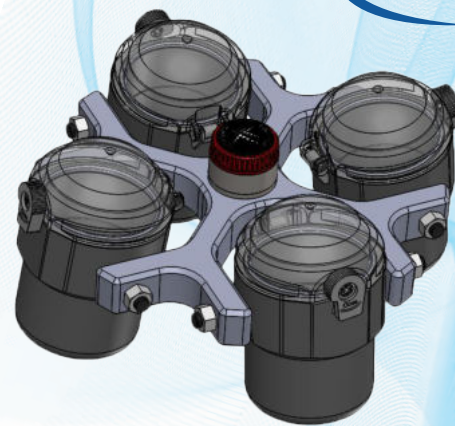
AFI-RX400

Adapters selection guide



Model	V*	R
Max Capacity	4 x 400ml	
Angle	90°	
RPM Max	4 500	5 100
ACR Max	4 075	5 234

Accessories



Ref.	AFI-RX400	AFI-B400	AFI-L400*
------	-----------	----------	-----------

*Bucket lids are highly recommended with ventilated model for optimum performance

Tubes

Capacity (ml)	1,1-1,4	1,5-2	1,5-2	1,3	1,6-7	2,6-4,9	1,2-5	4-8,5	7-10	10 CPT
∅ x L (mm)	8x82	11x38	12,5x40	10x45	13x75 100	13x81 106	11x82 108	15x91 108	16x100	16x125
Tubes per adapter / rotor	22 88	30 120	15 60	22 88	15 60		19 76	12 48		3 12
Adapter										
Hole ∅ x L (mm)	9x50	11,25x40	13x30	11x40	13,5x58		12,5x55	17x58		17x58
Radius	180	120 175	135	170	178		175	178		178
Max Charge (gr)	560									
Ref.	AFI-1T1	AFI-1T2	AFI-1T2CRYO	AFI-1T1.3	AFI-1T5*		AFI-1T5ST*	AFI-1T10		

* For tube length > 80mm and ACR > 3000g, we preconise using adapter AFI-1T6 or AFI-1T6ST

Tubes

Capacity (ml)	10	15	15	30	30	50	50	50	50	50
∅ x L (mm)	21x90	17x120	17x120	25x110	25x110	29x115	29x115	29x115	29x115	29x115
Tubes per adapter / rotor	7 28	7 28	8 32	4 16	4 16	4 16	3 12	3 12	3 12	4 16
Adapter										
Hole ∅ x L (mm)	22x80	18x80	18x80	26x60	26x60	30x70	30x70	30x70	30x70	30x70
Radius	180	180	180	177	177	177	178	177	180	177
Max Charge (gr)	560									
Ref.	AFI-1T10C	AFI-1T15C	AFI-1T15ST	AFI-1T30S	AFI-1T30C	AFI-1T50S	AFI-1T50SL	AFI-1T50CSL*	AFI-1T50CL	AFI-1T50C

* For protocols < 3500g

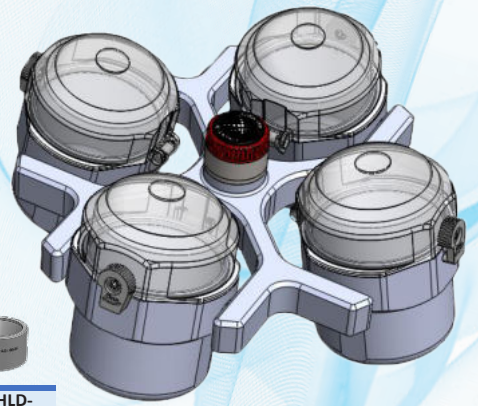
Tubes

Capacity (ml)	50	80 / 85	100	150	200	200	200	200	250	290
∅ x L (mm)	29x107	38x106	45x100	61x118	61x138	56x118	60x130	56x112	62x122	62x137
Tubes per adapter / rotor	3 12	1 4	1 4	1 4		1 4	1 4	1 4	1 4	
Adapter										
Hole ∅ x L (mm)	30x70	40x78	46x80	62x80		58x80	62x80	58x80	64x80	
Radius	180	178	178	180		178	180	178	178	
Max Charge (gr)	560									
Ref.	AFI-1T50AOR	AFI-1T80AOR	AFI-1T100R	AFI-1T200CF		AFI-1T200C	AFI-1T200CN	AFI-1T200F	AFI-1T290F	

* unsealed

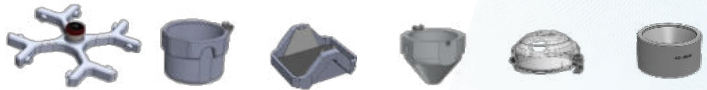
AFI-RX625

Adapters selection guide



Model	V*	R
Max Capacity	4 x 625ml	
Angle	90°	
RPM Max	4 500	5 100
ACR Max	4 528	5 816

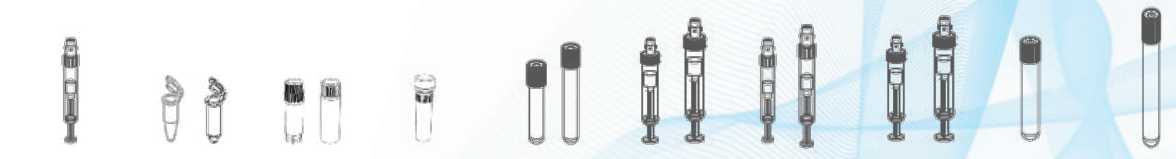
Accessories



Ref.	AFI-RX625	AFI-B625	AFI-BXDW	AFI-DB500C	AFI-L625*	AFI-HLD-DB500C
------	-----------	----------	----------	------------	-----------	----------------

*Bucket lids are highly recommended with ventilated model for optimum performance

Tubes



Capacity (ml)	1,1-1,4	1,5-2	1,5-2	1,3	1,6-7	2,6-4,9	1,2-3	4-8,5	7-10	10 CPT
∅ x L (mm)	8x82	11x38	12,5x40	10x45	13x75 100	13x81 106	11x82	15x91 108	16x100	16x125
Tubes per adapter / rotor	23 92	23 184	23 92	30 120	23 92		32 128	19 76		7 28
Adapter										
Hole ∅ x L (mm)	9x50	11,25x40	13x30	11x40	13,5x58		12,5x55	17x58		17x58
Radius	184	122/177	134	174	182		179	182		178
Max Charge (gr)	750									
Ref.	AFI-2T1	AFI-2T2	AFI-2T2CRYO	AFI-2T1.3	AFI-2T5*		AFI-2T5ST*	AFI-2T10		

* For tube length > 80mm and ACR > 3000g, we preconise using adapter AFI-2T6 or AFI2T6ST

Tubes



Capacity (ml)	10	15	15	30	30	50	50	50	50	50
∅ x L (mm)	21x90	17x120	17x120	25x110	25x110	29x115	29x115	29x115	29x115	29x115
Tubes per adapter / rotor	11 44	11 44	15 60	5 20	5 20	5 20	4 16	4 16	4 16	5 20
Adapter										
Hole ∅ x L (mm)	22x80	18x80	18x80	26x60	26x60	30x70	30x70	30x70	30x70	30x70
Radius	184	184	184	181	184	182	182	182	184	184
Max Charge (gr)	750									
Ref.	AFI-2T10C	AFI-2T15C	AFI-2T15ST	AFI-2T30S	AFI-2T30C	AFI-2T50S	AFI-2T50SL	AFI-2T50CSL*	AFI-2T50CL	AFI-2T50C

* For protocols < 3500g

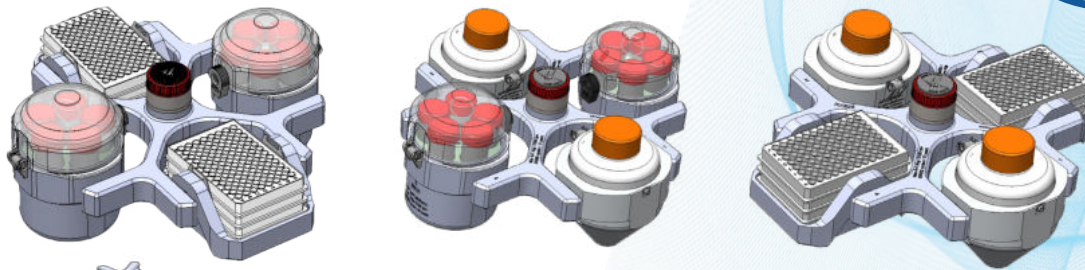
Tubes



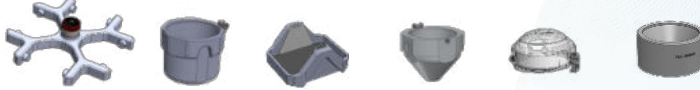
Capacity (ml)	50	80 / 85	100	150 200	200	200	200	250	290	625
∅ x L (mm)	29x107	38x106	44x100	61x118 138	56x118	60x130	56x112	62x122	62x137	92x130
Tubes per adapter / rotor	5 20	3 12	1 4	1 4	1 4	1 4	1 4	1 4		
Adapter										
Hole ∅ x L (mm)	30x70	40x78	46x80	62x80	58x80	62x80	58x80	64x80		94x85
Radius	184	182	182	182	182	182	182	182		184
Max Charge (gr)	750									
Ref.	AFI-2T50AOR	AFI-2T80AOR	AFI-2T100R	AFI-2T200CF	AFI-2T200C	AFI-2T200CN	AFI-2T200F	AFI-2T290F		-

A

Different configurations available



Accessories



Ref.	AFI-RX625	AFI-B625	AFI-BXDW	AFI-DB500C	AFI-L625*	AFI-HLD DB500C
------	-----------	----------	----------	------------	-----------	----------------

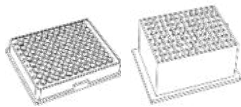
*Bucket lids are highly recommended with ventilated model

Tubes



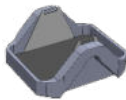
Capacity (ml)	1,6-7	2,6-4,9	1,2-3	4-8,5	7-10	15	50	CORNING 250	CORNING 500
∅ x L (mm)	13x75 100	13x81 106	11x82 108	15x91 108	16x100	17x120	29x115	60x163	96x148
Tubes per adapter / rotor	16 64		8 32		5 20	3 12	1 4	1 4	1 4
Adapter									
Hole ∅ x L (mm)	13,5x58		17,5x58		17,5x78	30x78	62x103	97x103	
Radius	200		162		170	170	198	200	
Max Charge (gr)	700								
Ref.	AFI-500CR5		AFI-500CR10		AFI-500CR15C	AFI-500CR50C	AFI-500CR250C	-	

Tubes



Capacity (ml)	-	-
∅ x L (mm)	-	-
Tubes per adapter / rotor	4 16	1 4

Adapter

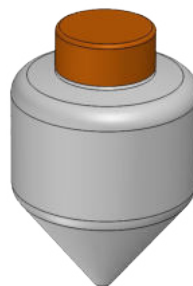


Hole ∅ x L (mm)	-	
Radius	152	152
Max Charge (gr)	725	725
Ref.	AFI-BXDW	

Big bottles in a compact centrifuge



Corning 250ml



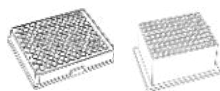
Corning 500ml

MICROPLATES

Accessories selection guide

AFI-RX625 + AFI-BXDW : 16 MICROPLATES

Model	V	R
Max Capacity	-	-
Angle	90°	
RPM Max	4 500	5 100
ACR Max	3 441	4 420



Microplate

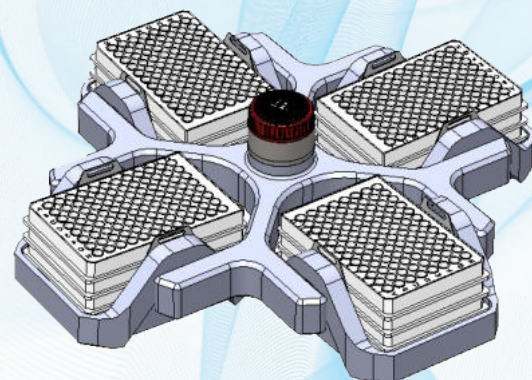
	V	R		
Capacity (ml)	-	-	-	-
Max Height (mm)	-	55	55	-
Tubes per adapter / rotor	-	4 16	1 4	-

Accessories



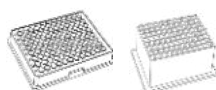
	V	R		
Hole Ø x L(mm)	-	-	-	-
Radius	152	-	152	-
Max Charge (gr)	-	-	725	-

Ref.	AFI-RX625	AFI-BXDW		



AFI-RHDW + AFI-BHDW : 10 MICROPLATES SEALED

Model	V	R
Max Capacity	-	-
Angle	90°	
RPM Max	4 500	5 100
ACR Max	3 532	4 536



Microplate

	V	R		
Capacity (ml)	-	-	-	-
Max Height (mm)	-	75	75	75
Tubes per adapter / rotor	-	5 10	1 2	-

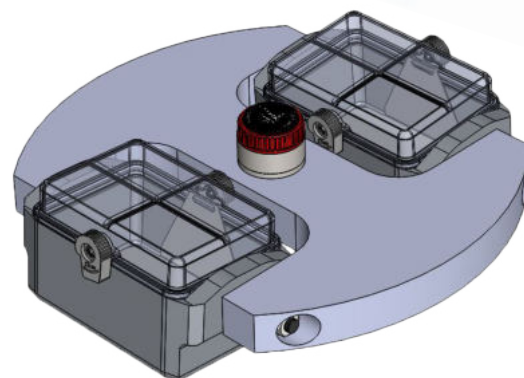
Accessories



	V	R		
Hole Ø x L(mm)	-	-	-	-
Radius	156	-	156	-
Max Charge (gr)	-	-	725	-

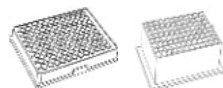
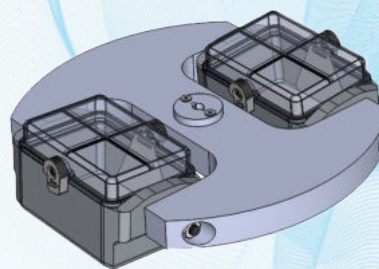
Ref.	AFI-RHDW	AFI-BHDW*	AFI-LH	

* Set of 2



AFI-RHDW-SP + AFI-BHDW : 10 MICROPLATES SEALED & HIGH SPEED

Model	R
Max Capacity	
Angle	90°
RPM Max	5 900
ACR Max	6 071



Microplate

	-	-	-	-
Capacity (ml)	-	-	-	-
Max Height (mm)	-	80	80	75
Tubes per adapter / rotor	-	5 10	1 4	-

Accessories



	-	-	-
Hole \varnothing x L(mm)	-	-	-
Radius	156	156	-
Max Charge (gr)	-	725	-

Ref.	AFI-RHDW-SP	AFI-BHDW*	AFI-LH
------	-------------	-----------	--------

* Set of 2

FIXED ANGULAR ROTORS

Accessories selection guide



LISA ACCESSORIES	AFI-RA6-100	AFI-RA8-100L	AFI-RA8-100L /45	AFI-RA12-50	AFI-RA14-15L	AFI-FA8-50	AFI-RA8-50	AFI-RA8-50L	AFI-RA30-15
Max Capacity (ml)	6x100	8x100	8x100	12x50	14x15	8x50	8x50	8x50	30x15
Max Speed (rpm)	12 300	14 000	10 400	10 100	TBC	7 600	12 200	13 500	4 600
Max RCF (g)	17 929	25 200	16 566	11 633	TBC	16 973	16 973	20 783	3 336
Lid		✓	✓	✓	✓	✓		✓	
LOREENA Compatible*	✓	✓	✓	✓	✓	✓	✓	✓	✓
Acc Dec (s)	89 138						64 129	70 169	41 75

* Compatible with the maximum speed written above the rotor.









Tubes	ml	Ø x L	AFI-RA6-100	AFI-RA8-100L	AFI-RA8-100L /45	AFI-RA12-50	AFI-RA14-15L	AFI-FA8-50	AFI-RA8-50	AFI-RA8-50L	AFI-RA30-15
	1,1-1,4	8x82	12	16	16	36		24	24	24	-
	1,5-2	11x38	24	32	32	36		24	24	24	-
	1,5-2	12,5x40	24	32	32	36		24	24	24	-
	1,3	10x45	30	40	40	12		24	24	24	-
	1,6-5	13x75	12	16	16	12	14	8	8	8	10
	2,6-4	13x81-91	12	16	16	12		8	8	8	-
	2,7-3	11x82	30	40	40	36		24	24	24	-
	5-7	13x100	12	16	16	12	14	8	8	8	-
	2,6-4,9	13x106	12	16	16	12		8	8	8	-
	1,2-5	11x108	6	8	8	12		8	8	8	-
	10	21x90	6	8	8	12		8	8	8	-
	4-5	15x91	12	16	16	12	14	8	8	8	-
	7-10	16x100	12	16	16	12	14	8	8	8	30
	5-8,5	15x108	6	8	8	12		8	8	8	-
	10 OAK	16x85	6	8	8	12		8	8	8	-
	15	17x120	6	8	8	12	14	8	8	8	30
	30	25x110	6	8	8	12		8	8	8	-
	30	25x110	6	8	8	12		8	8	8	-
	30 OAK	25x95	6	8	8	12		8	8	8	-
	50	29x115	6	8	8	12		8	8	8	-
	50 OAK	29x107	6	8	8	12		8	8	8	-
	80 OAK 85 OAK	38x106	6	8	8	-		-	-	-	-





LISA ACCESSORIES	AFI-RA16-5	AFI-RA48-2	AFI-RA30-2	AFI-RA24-2
Max Capacity (ml)	16x5	48x2	30x2	24x2
Max Speed (rpm)	13 200	15 500	16 000	18 000
Max RCF (g)	21 038	27 129	28 335	31 514
Lid	✓	✓	✓	✓
LOREENA Compatible*	✓	✓	✓	✓
Acc Dec (s)	36 93	57 106	42 75	41 73

* Compatible with the maximum speed written above the rotor.

Micro Tubes	ml	Ø x L	AFI-RA16-5	AFI-RA48-2	AFI-RA30-2	AFI-RA24-2
 	0,2-0,25	6x18	16	48	30	24
 	0,5	8x30	16	48	30	24
 	1,5-2	11x38	16	48	30	24
	5	16,5x60	16	-	-	-
	2 SPIN COLUMN	11x38	16	-	-	-

FIXED ANGULAR ROTORS

Accessories selection guide



Angular rotor 6x100ml - 28°

Model	V	R
Max Capacity	6 x 100ml	
Angle	28°	
RPM Max	12 100	12 300
ACR Max	17 351	17 929



Accessories



Ref.	AFI-RA6-100
------	-------------

Tubes

Capacity (ml)	1,1-1,4	1,5-2	1,5-2	1,3	1,6-5	2,6-4	2,7-3	5-7	4,9	4,5-5
∅ x L (mm)	8x82	11x38	12,5x40	10x45	13x75	13x81 91	11x82	13x100	13x106	11x108
Tubes per adapter / rotor	2 12	4 24	4 24	5 30	2 12		5 30	2 12		1 6
Adapter										
Hole ∅ x L(mm)	9x50	11,25x40	13x30	11x40	13,5x58		12,5x55	13,5x78		12,5x80
Radius 106	87 103	83 104	83 104	90 110	87 103		89 111	87 103		108
Ref.	AFI-100R1-2	AFI-100R2-2	AFI-100R2CRYO-	AFI-100R1.3-2	AFI-100R5-2		AFI-100R5ST-2	AFI-100R7-2		AFI-100R6ST-2

Tubes

Capacity (ml)	10	4-5	7-10	5-8	10	15	30	30	30	50
∅ x L (mm)	21x90	15x91	16x100	15x108	16x85	17x120	25x110	25x110	25x95	29x115
Tubes per adapter / rotor	1 6	2 12		1 6	1 6	1 6	1 6	1 6	1 6	1 6
Adapter										
Hole ∅ x L(mm)	22x80	17x78		17x80	17x70	18x80	26x60	26x60	26,5x70	30x70
Radius 106	95	87 103		107	87 103	95	96	96	94	101
Ref.	AFI-100R10C-2	AFI-100R10-2		AFI-100R10ST-2	AFI-100R10-OAK-2	AFI-100R15C-2	AFI-100R30S-2	AFI-100R30C-2	AFI-100R30-OAK-	AFI-100R50C-2

Tubes

Capacity (ml)	50	80	85
∅ x L (mm)	29x107	38x106	38x106
Tubes per adapter / rotor	1 6	1 6	
Adapter			
Hole ∅ x L(mm)	30x70	39x68	
Radius 106	98	103	
Ref.	AFI-100R50-OAK-		

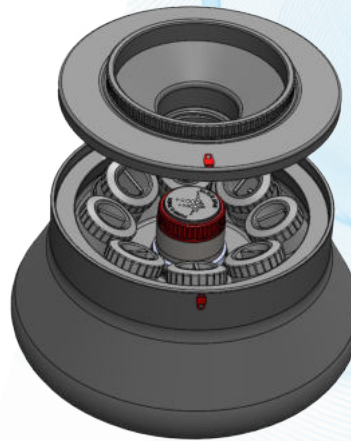
Angular rotor 8x100ml - 28° - Sealed

Model	V	R
Max Capacity	8 x 100ml	
Angle	28°	
RPM Max	12 100	14 000
ACR Max	18 824	25 200



Accessories

Ref.	AFI-RA8-100L
------	--------------



Visual LOCK for PERFECT lid closure



Tubes

	1,1-1,4	1,5-2	1,5-2	1,3	1,6-5	2,6-4	2,7-3	5-7	4,9	4,5-5
Capacity (ml)	1,1-1,4	1,5-2	1,5-2	1,3	1,6-5	2,6-4	2,7-3	5-7	4,9	4,5-5
∅ x L (mm)	8x82	11x38	12,5x40	10x45	13x75	13x81 91	11x82	13x100	13x106	11x108
Tubes per adapter / rotor	2 12	4 24	4 24	5 30	2 12		5 30	2 12		1 6
Adapter										
Hole ∅ x L (mm)	9x50	11,25x40	13x30	11x40	13,5x58		12,5x55	13,5x78		12,5x80
Radius	87 103	83 104	83 104	90 105	87 103		89 105	87 103		108
Ref.	AFI-100R1-2	AFI-100R2-2	AFI-100R2CRYO-2	AFI-100R1.3-2	AFI-100R5-2		AFI-100R5ST-2	AFI-100R7-2		AFI-100R6ST-2

Tubes

	10	4-5	7-10	5-8	10	15	30	30	30	50
Capacity (ml)	10	4-5	7-10	5-8	10	15	30	30	30	50
∅ x L (mm)	21x90	15x91	16x100	15x108	16x85	17x120	25x110	25x110	25x95	29x115
Tubes per adapter / rotor	1 6	2 12		1 6	1 6	1 6	1 6	1 6	1 6	1 6
Adapter										
Hole ∅ x L (mm)	22x80	17x78		17x80	17x70	18x80	26x60	26x60	26,5x70	30x70
Radius	95	87 103		107	87 103	95	96	96	94	101
Ref.	AFI-100R10C-2	AFI-100R10-2		AFI-100R10ST-2	AFI-100R10-OAK-2	AFI-100R15C-2	AFI-100R30S-2	AFI-100R30C-2	AFI-100R30-OAK-	AFI-100R50C-2

Tubes

	50	80	85
Capacity (ml)	50	80	85
∅ x L (mm)	29x107	38x106	38x106
Tubes per adapter / rotor	1 6	1 6	
Adapter			
Hole ∅ x L (mm)	30x70	39x68	
Radius	98	103	
Ref.	AFI-100R50-OAK-2	-	-

FIXED ANGULAR ROTORS

Accessories selection guide

Angular rotor 8x100ml - 45° - Sealed

Model	V	R
Max Capacity	8 x 100ml	
Angle	45°	
RPM Max	10 400	10 400
ACR Max	16 566	20 028



Accessories

Ref.	AFI-RA8-100L
------	--------------



Visual LOCK
for PERFECT
lid closure



Tubes

Capacity (ml)	1,1-1,4	1,5-2	1,5-2	1,3	1,6-5	2,6-4	2,7-3	5-7	4,9	4,5-5
Ø x L (mm)	8x82	11x38	12,5x40	10x45	13x75	13x81 91	11x82	13x100	13x106	11x108
Tubes per adapter / rotor	2 12	4 24	4 24	5 30	2 12		5 30	2 12		1 6

Adapter

Hole Ø x L (mm)	9x50	11,25x40	13x30	11x40	13,5x58	12,5x55	13,5x78	12,5x80
Radius 106	87 103	83 104	83 104	90 105	87 103	89 105	87 103	108
Ref.	AFI-100R1-2	AFI-100R2-2	AFI-100R2CRYO-2	AFI-100R1.3-2	AFI-100R5-2	AFI-100R5ST-2	AFI-100R7-2	AFI-100R6ST-2

Tubes

Capacity (ml)	10	4-5	7-10	5-8	10	15	30	30	30	50
Ø x L (mm)	21x90	15x91	16x100	15x108	16x85	17x120	25x110	25x110	25x95	29x115
Tubes per adapter / rotor	1 6	2 12		1 6	1 6	1 6	1 6	1 6	1 6	1 6

Adapter

Hole Ø x L (mm)	22x80	17x78	17x80	17x70	18x80	26x60	26x60	26,5x70	30x70
Radius 106	95	87 103	107	87 103	95	96	96	94	101
Ref.	AFI-100R10C-2	AFI-100R10-2	AFI-100R10ST-2	AFI-100R10-OAK-2	AFI-100R15C-2	AFI-100R30S-2	AFI-100R30C-2	AFI-100R30-OAK-	AFI-100R50C-2

Tubes

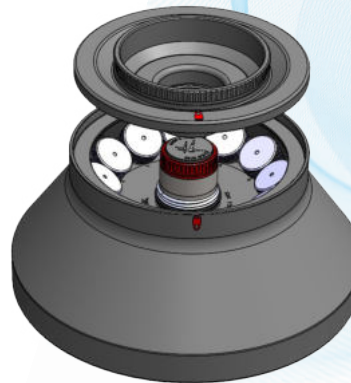
Capacity (ml)	50	80	85
Ø x L (mm)	29x107	38x106	38x106
Tubes per adapter / rotor	1 6	1 6	

Adapter

Hole Ø x L (mm)	30x70	39x68	
Radius 106	98	103	
Ref.	AFI-100R50-OAK-2	-	-

Angular rotor 12x50ml - 35° - Sealed

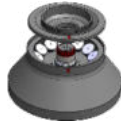
Model	V	R
Max Capacity	12 x 50ml	
Angle	35°	
RPM Max	11 000	11 000
ACR Max	18 533	18 533



Visual LOCK
for PERFECT
lid closure



Accessories



Ref.	AFI-RA12-50L
------	--------------

Tubes	1,1-1,4	1,5-2	1,5-2	1,3	1,6-5	2,6-4	2,7-3	5-7	4,9	4,5-5	10
Capacity (ml)	1,1-1,4	1,5-2	1,5-2	1,3	1,6-5	2,6-4	2,7-3	5-7	4,9	4,5-5	10
∅ x L (mm)	8x82	11x38	12,5x40	10x45	13x75	13x81 91	11x82	13x100	13x106	11x108	21x90
Tubes per adapter / rotor	3 36	3 36	3 36	3 36	1 12		3 36	1 12	1 12	1 12	1 12
Adapter											
Hole ∅ x L(mm)	9x50	11,25x40	13x30	11x40	13,5x58		12,5x55	13,5x78	13,5x78	12,5x80	22x80
Radius	102	85 99	76 90	72 87	70 84	89	81 95	97	97	97	97
Ref.	AFI-50R1-2	AFI-50R2-2	AFI-50R2CRYO-2	AFI-50R1.3-2	AFI-50R5-2	AFI-50R5ST-2	AFI-50R7-2	AFI-50R7-2	AFI-50R7-2	AFI-50R6ST-2	AFI-50R10C-2

Tubes	4-8,5	7-10	10	15	30	30	30	50	50
Capacity (ml)	4-8,5	7-10	10	15	30	30	30	50	50
∅ x L (mm)	15x91 108	16x100	16x85	17x120	25x110	25x110	25x95	29x115	29x107
Tubes per adapter / rotor	1 12		1 12	1 12	1 12	1 12	1 12	1 12	1 12
Adapter									
Hole ∅ x L(mm)	17x78		17x70	18x80	26x60	26x60	26,5x70	30x70	30x70
Radius	102		87	89	101	97	100	102	102
Ref.	AFI-50R10-2		AFI-50R10-OAK-2	AFI-50R15C-2	AFI-50R30S-2	AFI-50R30C-2	AFI-50R30-OAK-2	-	AFI-50R50-OAK-

* Set of 8

FIXED ANGULAR ROTORS

Accessories selection guide



Angular rotor 14x 15ml -28°

Model	V	R
Max Capacity	14x 15mL	
Angle	28°	
RPM Max	TBC	TBC
ACR Max	TBC	TBC



Visual LOCK
for PERFECT
lid closure



Accessories



Ref.	AFI-RA14-15L
------	--------------

Tubes



Capacity (ml)	1,6-5	5-7	7-10	15
∅ x L (mm)	13x75	13x100	16x100	17x120
Tubes per adapter / rotor	1 14	1 14	1 14	1 14

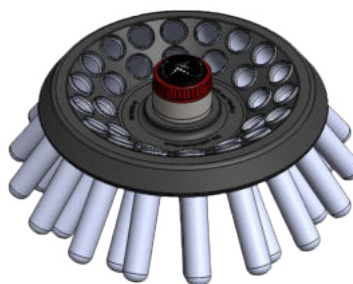
Adapter



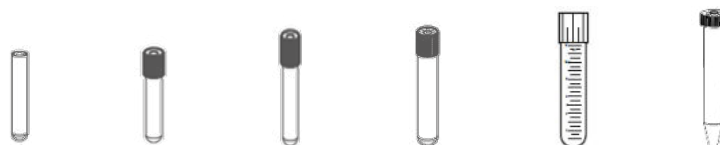
Hole ∅ x L (mm)				
Radius	112	93	105	105
Ref.		AFI-15C5	AFI-15C7	AFI-15C10

Angular rotor 30x15ml - 37°

Model	V	R
Max Capacity	30 x 15ml	
Angle	37°	
RPM Max	4 500	4 600
ACR Max	3 192	3 336



Tubes



Capacity (ml)	-	5	1,6-5	5-7	10	14	15
∅ x L (mm)	-	12x75	13x75	13x100	16x100	17x100	17x120
Tubes per adapter / rotor	-	1 30	1 30	1 30	1 30	1 30	1 30

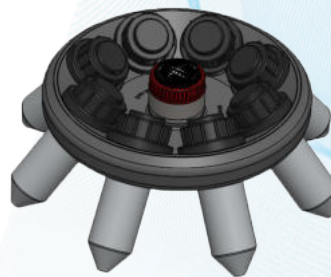
Accessories



Hole ∅ x L (mm)	18x98	13,5x78	13,5x78	17x78	17x78	18x98	18x98
Radius	122 141	96 115	96 115	110 129	110 129	118 136	118 136
Ref.	AFI-RA30-15						

Angular rotor 8x50ml - 40° - Sealed

Model	V	R
Max Capacity	8x 50ml	
Angle	40°	
RPM Max	6 700	7 600
ACR Max	7 076	9 105



Accessories



Ref.	AFI-FA8-50
------	------------

Tubes

Capacity (ml)	1,1-1,4	1,5-2	1,5-2	1,3	1,6-5	2,6-4	2,7-3	5-7	4,9	4,5-5	10
∅ x L (mm)	8x82	11x38	12,5x40	10x45	13x75	13x81 91	11x82	13x100	13x106	11x108	21x90
Tubes per adapter / rotor	3 24	3 24	3 24	3 24	1 8		3 24	1 8	1 8	1 8	1 8

Adapter

Hole ∅ x L (mm)	9x50	11,25x40	13x30	11x40	13,5x58		12,5x55	13,5x78	13,5x78	12,5x80	22x80
Radius	141	122 136	113 127	110 124	108 121	126	119 132	134	134	134	134
Ref.	AFI-50R1-2	AFI-50R2-2	AFI-50R2CRYO-2	AFI-50R1.3-2	AFI-50R5-2		AFI-50R5ST-2	AFI-50R7-2	AFI-50R7-2	AFI-50R6ST-2	AFI-50R10C-2

Tubes

Capacity (ml)	4-8,5	7-10	10	15	30	30	30	50	50
∅ x L (mm)	15x91 108	16x100	16x85	17x120	25x110	25x110	25x95	29x115	29x107
Tubes per adapter / rotor	1 8		1 8	1 8	1 8	1 8	1 8	1 8	1 8

Adapter

Hole ∅ x L (mm)	17x78	17x70	18x80	26x60	26x60	26,5x70	30x70	30x70
Radius	141	134	136	138	138	137	141	140
Ref.	AFI-50R10-2	AFI-50R10-OAK-2	AFI-50R15C-2	AFI-50R30S-2	AFI-50R30C-2	AFI-50R30-OAK-	-	AFI-50R50-OAK-

Ideal for your sensitive samples
 Individually removable, sealed adapters.
 Guaranteed safety throughout your analysis protocol,
 before, during and after centrifugation



FIXED ANGULAR ROTORS

Accessories selection guide



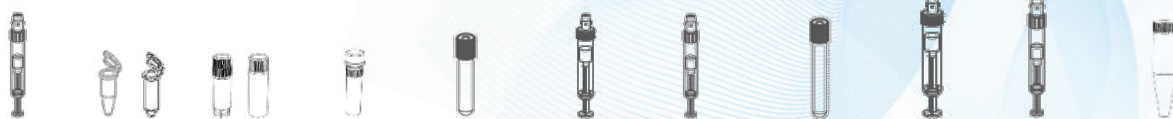
Angular rotor 8x50ml - 25°

Model	V	R
Max Capacity	8 x 50ml	
Angle	25°	
RPM Max	12 200	12 200
ACR Max	16 973	16 973

Accessories



Ref.	AFI-RA8-50
------	------------

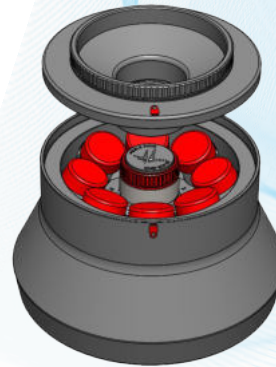


Tubes	1,1-1,4	1,5-2	1,5-2	1,3	1,6-5	2,6-4	2,7-3	5-7	4,9	4,5-5	10
Capacity (ml)	1,1-1,4	1,5-2	1,5-2	1,3	1,6-5	2,6-4	2,7-3	5-7	4,9	4,5-5	10
∅ x L (mm)	8x82	11x38	12,5x40	10x45	13x75	13x81 91	11x82	13x100	13x106	11x108	21x90
Tubes per adapter / rotor	3 24	3 24	3 24	3 24	1 8		3 24	1 8	1 8	1 8	1 8
Adapter											
Hole ∅ x L (mm)	9x50	11,25x40	13x30	11x40	13,5x58		12,5x55	13,5x78	13,5x78	12,5x80	22x80
Radius	102	83 97	74 88	71 85	69 82		87	80 90	95	95	95
Ref.	AFI-50R1-2	AFI-50R2-2	AFI-50R2CRYO-2	AFI-50R1.3-2	AFI-50R5-2		AFI-50R5ST-2	AFI-50R7-2	AFI-50R7-2	AFI-50R6ST-2	AFI-50R10C-2

Tubes									
Capacity (ml)	4-8,5	7-10	10	15	30	30	30	50	50
∅ x L (mm)	15x91 108	16x100	16x85	17x120	25x110	25x110	25x95	29x115	29x107
Tubes per adapter / rotor	1 8		1 8	1 8	1 8	1 8	1 8	1 8	1 8
Adapter									
Hole ∅ x L (mm)	17x78		17x70	18x80	26x60	26x60	26,5x70	30x70	30x70
Radius	102		95	85	97	99	95	98	102
Ref.	AFI-50R10-2		AFI-50R10-OAK-2	AFI-50R15C-2	AFI-50R30S-2	AFI-50R30C-2	AFI-50R30-OAK-2	-	AFI-50R50-OAK-

Angular rotor 8x50ml - 25° - Sealed

Model	V	R
Max Capacity	8x 50ml	
Angle	25°	
RPM Max	12 200	13 500
ACR Max	16 973	20 783



Visual LOCK for PERFECT lid closure



Accessories



Ref.	AFI-RA8-50L
------	-------------

Tubes	1,1-1,4	1,5-2	1,5-2	1,3	1,6-5	2,6-4	2,7-3	5-7	4,9	4,5-5	10
Capacity (ml)	1,1-1,4	1,5-2	1,5-2	1,3	1,6-5	2,6-4	2,7-3	5-7	4,9	4,5-5	10
∅ x L (mm)	8x82	11x38	12,5x40	10x45	13x75	13x81 91	11x82	13x100	13x106	11x108	21x90
Tubes per adapter / rotor	3 24	3 24	3 24	3 24	1 8		3 24	1 8	1 8	1 8	1 8
Adapter											
Hole ∅ x L (mm)	9x50	11,25x40	13x30	11x40	13,5x58		12,5x55	13,5x78	13,5x78	12,5x80	22x80
Radius	102	83 97	74 88	71 85	69 82		87	80 90	95	95	95
Ref.	AFI-50R1-2	AFI-50R2-2	AFI-50R2CRYO-2	AFI-50R1.3-2	AFI-50R5-2		AFI-50R5ST-2	AFI-50R7-2	AFI-50R7-2	AFI-50R6ST-2	AFI-50R10C-2

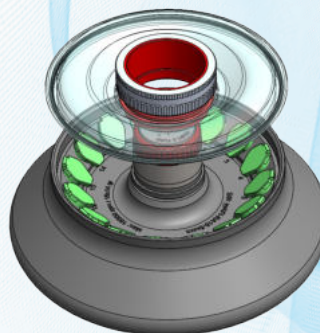
Tubes	4-8,5	7-10	10	15	30	30	30	50	50
Capacity (ml)	4-8,5	7-10	10	15	30	30	30	50	50
∅ x L (mm)	15x91 108	16x100	16x85	17x120	25x110	25x110	25x95	29x115	29x107
Tubes per adapter / rotor	1 8		1 8	1 8	1 8	1 8	1 8	1 8	1 8
Adapter									
Hole ∅ x L (mm)	17x78		17x70	18x80	26x60	26x60	26,5x70	30x70	30x70
Radius	102		95	85	97	99	95	98	102
Ref.	AFI-50R10-2		AFI-50R10-OAK-2	AFI-50R15C-2	AFI-50R30S-2	AFI-50R30C-2	AFI-50R30-OAK-	-	AFI-50R50-OAK-

FIXED ANGULAR ROTORS

Accessories selection guide

Angular rotor 16x5ml - 45° - Sealed

Model	V	R
Max Capacity	16 x 5ml	
Angle	45°	
RPM Max	13 200	13 200
ACR Max	21 038	21 038



Tubes	SPIN-COLUMNS					
Capacity (ml)	5	0,2	0,25	0,5	2	2
Ø x L (mm)	16,5x60	6x18		8x30	11x38	11x38
Tubes per adapter / rotor	16	1 16	1 16	1 16	1 16	1 16
Accessories						
Hole Ø X L(mm)	17x57		7x39	8,3x39	11,2x41	11,2x39
Radius	108	79	80	82	95	95
Ref.	AFI-RA16-5	AFI-5R02*	AFI-5R025*	AFI-5R05	AFI-5R2	AFI-5R2SC

* Set of 8

Angular rotor 48x2ml - 45° - Sealed

Model	V	R
Max Capacity	48 x 2ml	
Angle	45°	
RPM Max	14 000	15 500
ACR Max	22 132	27 129



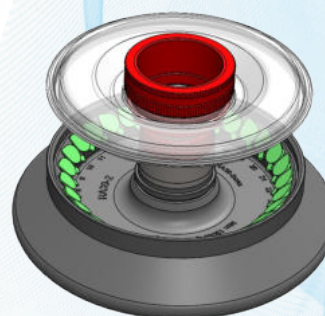
Tubes	SPIN COLUMN					
Capacity (ml)	1,5-2	2	0,2	0,25	0,5	1,5-2
Ø x L (mm)	11x38		6x18		8x30	11x38
Tubes per adapter / rotor	48		1 48	1 48	1 48	48
Accessories						
Hole Ø X L(mm)	11,2x41			7x39	8,3x39	11,2x41
Radius	91 101		89 99	89 99	89 99	91 101
Ref.	AFI-RA48-2		AFI-2R02*	AFI-2R025*	AFI-2R05*	AFI-RA48-2 NUNC

Available for NUNC tubes



Angular rotor 30x2ml - 45° - Sealed

Model	V	R
Max Capacity	30 x 2ml	
Angle	45°	
RPM Max	15 300	16 000
ACR Max	25 910	28 335



Tubes

	1,5-2	2	0,2	0,25	0,5
Capacity (ml)					
∅ x L (mm)	11x38		6x18		8x30
Tubes per adapter / rotor	30		1 30	1 30	1 30

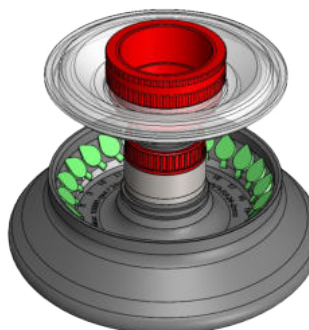
Accessories

	1,5-2	2	0,2	0,25	0,5
Hole ∅ X L(mm)	11,2x41			7x39	8,3x39
Radius	99		97	97	97
Ref.	AFI-RA30-2		AFI-2R02*	AFI-2R025*	AFI-2R05*

* Set of 6

Angular rotor 24x2ml - 45° - Sealed

Model	V	R
Max Capacity	24 x 2ml	
Angle	45°	
RPM Max	15 300	18 000
ACR Max	22 769	31 514



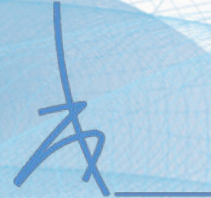
Tubes

	1,5-2	2	0,2	0,25	0,5
Capacity (ml)					
∅ x L (mm)	11x38		6x18		8x30
Tubes per adapter / rotor	24		1 48	1 48	1 48

Accessories

	1,5-2	2	0,2	0,25	0,5
Hole ∅ X L(mm)	11,2x41			7x39	8,3x39
Radius	87		85	85	85
Ref.	AFI-RA24-2		AFI-2R02*	AFI-2R025*	AFI-2R05*

* Set of 6



	SMALL	MEDIUM	LARGE
Ref.	AFI-MT550	AFI-MT750	AFI-MT850
Dimensions wxhxd (mm)	550x560x700	750x560x700	850x560x700
	2 tiroirs, 4 roulettes avec frein / 2 drawers, 4 wheels with brake		
LINA V	✓		
LINA R	✓		
ISA V	✓		
ISA R	✓		
SIRENA	✓		
LISA V	✓		
LISA R		✓	
LOREENA V		✓	
LOREENA R			✓

We offer you a range of AFI furniture dedicated to your centrifuges.

These furniture have been designed to last.
They are reinforced with a metal frame to ensure robustness.





They are equipped with 4 castors with brakes for more mobility and flexibility in your laboratory.

The large drawers allow you to place all your accessories.

These furniture are for you !



Spécifications - Specifications						
Modèle - Model	Ventilé - Ventilated		Réfrigéré/Refrigerating		Thermostatée - Heating	
Centrifugeuse de paillasse Benchtop centrifuge						
Référence - Reference	AFI-C200V-E	AFI-C200V	AFI-C200R-E	AFI-C200R	AFI-C200RH-E	AFI-C200RH
Références IVD / IVD References*	AFI-C200V-E/IVD	AFI-C200V/IVD	AFI-C200R-E/IVD	AFI-C200R/IVD	AFI-C200RH-E/IVD	AFI-C200RH/IVD
Caractéristiques électriques - Electrical specifications						
Tension nominale - Nominal voltage (+/- 10%)	230V	120V	230V	120V	230V	120V
Fréquence - Frequency	50/60 Hz	60 Hz	50/60 Hz	60 Hz	50/60 Hz	60 Hz
Puissance alimentation max. - Power max.	900 W		2000 W (700W compressor)		2000 W (700W compressor)	
Conformité aux directives Européennes - Compliance with European directives						
(UE)2017/746: Dispositifs médicaux de diagnostic in vitro / In vitro diagnostic medical devices *Only for IVD References	✓		✓		✓	
2014/35/UE : Directive Basse Tension – Low Voltage Directive	✓		✓		✓	
2014/30/UE : Directive CEM - EMC directive	✓		✓		✓	
2012/19/CE : Directive DEEE - WEEE directive	✓		✓		✓	
2011/65/CE : Directive ROHS - ROHS Directive	✓		✓		✓	
IEC / EN61010-1 (2010) : Sécurité - Safety	✓		✓		✓	
IEC / EN61010-2-020 (2006) : Sécurité - Safety	✓		✓		✓	
IEC / EN61010-2-101 (2015) : Sécurité - Safety	✓		✓		✓	
EN61326-1(2013) : Compatib. électromagn. - EMC compatibility	✓		✓		✓	
EN55011 2009/A1 (2010) Classe A : Perturbations / Emissions	✓		✓		✓	
EN ISO 14971 (2012) : Gestion des risques - Risk management	✓		✓		✓	
ISO 9001 (2015) : Gestion des risques - Risk management	✓		✓		✓	
ISO 13485 (2016) : Gestion des risques - Risk management	✓		✓		✓	
Caractéristiques principales (voir brochure) - Main specifications (see brochure for full specification)						
Rotors Swing-out 	Capacité max. Max. capacity	Rotor AFI-RX625	4 x 625 ml			
	RPM max.		4500 rpm	5100 rpm		
	ACR max Max. RCF		4528 g	5816 g		
Rotors Microplaques Microplate rotors 	Capacité max. Max. capacity	Rotor AFI-RX625 Bucket AFI-BXDW	4x4 microplaques ; 4x1 plaques Deepwell 4x4 microplates ; 4x1 Deepwell plates			
	RPM max.		4500 rpm	5100 rpm		
	ACR max Max. RCF		3441 g	4420 g		
Rotors angulaire Angular rotor 	Capacité max. Max. capacity	AFI-RA8-100L	8x 100 mL			
	RPM max.	AFI-RA24-2	15300 rpm	18000 rpm		
	ACR max Max. RCF		25910 g	31514 g		
Couvercle - Lid	✓					
Dimensions & poids - Dimensions & Weight						
Dimensions (HxLxL) - Foot print Dimensions (HxWxD)	34 x 46 x 56 cm		32 x 68 x 58 cm		32 x 68 x 58 cm	
Profondeur table – Table deep	55 cm		55 cm		55 cm	
Dimensions emballage (HxLxL) - Package dimension	50 x 74 x 55 cm		50 x 74 x 77 cm		50 x 74 x 77 cm	
Hauteur couvercle ouvert - Opened lid height	79 cm		80 cm		80 cm	
Poids net - Weight unpacked	71 Kg		110 Kg		110 Kg	
Poids emballé - Weight packed	86 kg		126 kg		126 kg	

Description de la centrifugeuse / Centrifuge description						
Référence - Reference	AFI-C200V-E	AFI-C200V	AFI-C200R-E	AFI-C200R	AFI-C200RH-E	AFI-C200RH
Ecran graphique tactile 4.3", couleur 4.3" graphic color screen				✓		
Commandes Commands			Touches et écran tactile Buttons and touchscreen			
Contrôle par microprocesseur Microprocessor control				✓		
Fixation de rotor sans outil Toolless rotor fixing			Système "ClickSpin®"			
Reconnaissance automatique du rotor Automatic rotor recognition				✓		
Détection de balourd Imbalance detection			Calibration ajustable (15g swing out et 3g rotors angulaires). Neutralisation automatique des vibrations liées à l'environnement. Tunable calibration (15g for swing out & 3g for angular rotors). Automatic neutralization of vibrations due to environment			
Mode économie d'énergie Energy saving mode				Mode "Postcool" désactivable Desactivable "Postcool" mode		
Fermeture motorisée du couvercle Motorized lid closing				✓		
Durées de cycle Cycle duration			10 s à 99h:59min:59s & Impulsion 10 s to 99h:59min:59 s & Pulse			
Unités de température Temperature units				°C / °F		
Chambre de centrifugation Centrifugation chamber				Inox		
Densité max. Max. density				1.2 g / cm ³		
Moteur à induction sans charbon Brushless induction motor				✓		
Vitesse mini / Maxi Mini / Max Speed		300 / 15300 rpm		300 / 18000 rpm		
Pas de réglage de la vitesse Speed setting step				10 rpm/ 10x g		
Précision de vitesse Speed accuracy				± 0.5%		
Nombre de programmes Programs number		99		99+2		
Fonction Pulse Pulse (short run)				✓		
Pentes d'accélération & de freinage Acceleration & Braking slopes				10 & 10		
Décélération libre Brakeless mode				✓		
Système de réfrigération Cooling system		Ventilation Ventilation device		Sans CFC Without CFC		
Plage de réglage en température Range of setting temperature		N/A		-20°C → +40°C		
Echauffement (en C°) de l'échantillon à vitesse max pour T° ambiante 23°, Durée de fonctionnement en continu 45 mn. *performance optimale atteinte avec couvercle de nacelle Sample heating (C°) at max speed, 23° ambient temperature, Continuous operating time 45mn *optimum performance achieved with bucket lid		15		N/A		
Alarme de surtempérature différentielle Overtemperature alarm menu		N/A		Ajustable de +5° à +20°C Ajustable from +5° to +20°C		
Fonction de pré-refroidissement Precool function		N/A		✓	Precool program of 6 minutes	
Précision en température Temperature accuracy		N/A		+/- 2°C		
Dissipation de chaleur maximale Heat dissipation		3071 BTU/h		6824 BTU/h		
Niveau sonore max. Max. noise		≤ 60 dB(A)		≤ 55 dB(A)		

AUTOKLAVEN | SICHERHEITSWERKBÄNKE | CO₂-INKUBATOREN | ZENTRIFUGEN
ULTRATIEFKÜHLSCHRÄNKE | REINSTWASSERSYSTEME | TIERKÄFIGWECHSELSTATIONEN
ABWASSERSTERILISATION | SPÜLMASCHINEN | SERVICE, WARTUNG, VALIDIERUNG



ibs | tecnomara

Innovative Systeme für die Biotechnologie

Ruhberg 4 | 35463 Fernwald

Telefon: +49 64 04 80 9 - 0

Telefax: +49 64 04 80 9 - 251

info@tecnomara.de

www.tecnomara.de